

PART No. 500452/53



THE  
**TRIUMPH  
MAYFLOWER**

**SPARE PARTS LIST**



THE STANDARD MOTOR CO. LTD.—SPARES DEPARTMENT  
FLETCHAMSTEAD HIGHWAY - - - COVENTRY

Telephone Coventry 62471 (4 lines)

# INSTRUCTIONS FOR ORDERING REPLACEMENT PARTS

## CHASSIS NUMBERS.

Always give the chassis number with prefix or suffix letters (if any) of the car concerned. This will save delay and ensure speedy despatch. The chassis number will be found on a brass plate on scuttle under bonnet. The Standard Motor Co. Ltd. have taken every care in compiling this list but they cannot accept responsibility for inaccuracies which may have occurred.

## QUANTITIES.

Do not designate the quantities by sets, but state specifically how many parts are required.

## FULL DETAILS ESSENTIAL.

The part required should be looked up in the list and the part number quoted, as well as the technical description. If any doubt exists as to name or number of the part a dimensioned sketch or the old part should be sent to assist us in giving prompt service.

## ALSO

Always specify whether the parts are required for right or left hand drive machines (see illustration).

## PATTERNS.

When parts are sent as patterns it is important that these should be carefully and individually labelled indicating the address of the sender, together with advise by separate post giving any reference or order number which will enable us to deal with the matter promptly. All patterns must be sent carriage paid to Spares Dept., Fletchamstead Works, Coventry.

Old parts sent as patterns will not be returned unless special instructions to that effect are given on the order.

## ORDERS FOR PARTS.

Orders for parts should always be sent on a separate form, and not with correspondence or guarantee matters.

## PAYMENT.

In the absence of an approved account all parts will be sent c.o.d. or a pro forma invoice will be issued. Alternatively orders should be covered by the necessary remittance.

## PRICES.

All prices quoted in the master parts price list are subject to alteration without notice. Delivery carriage paid; packing cases are chargeable but will be credited upon return in good condition carriage paid.

## ORDER FROM YOUR LOCAL DEALER.

We strongly recommend Standard owners who require parts to obtain these from the nearest Standard distributor or dealer.

## CAUTION.

Use only genuine Standard Motor Co. Ltd. replacement parts.

## COMMISSION NUMBERS AND SUFFIX

Saloon	...	...	...	...	Right Hand Steering	T.T.	DL.
Saloon	...	...	...	...	Left Hand Steering	T.T.	LDL.

## CAR REPAIRS

A service school has been established where agents' representatives are trained in the upkeep and maintenance of STANDARD cars. Customers should therefore avail themselves of the service which our agents are able to give in all matters relative to service and maintenance.

We maintain a service and repairs department at London and a most up-to-date service station at Coventry where customers' cars can be taken either for adjustment or overhauls to estimate.

Payment for car repairs must be made when machines are collected.

Our staff drive customers' cars at owners' risk and responsibility.

We take every precaution against fire, but we do not accept liability for any damage which may be caused by fire to any motor car or part thereof entrusted to us for any purpose whatever.

The following information will enable owners of STANDARD cars to get into immediate communication with the Company's various departments.

## THE STANDARD MOTOR CO. LTD.

Registered Office : **BANNER LANE, COVENTRY**

### CAR DIVISION :

CANLEY, COVENTRY  
Telegrams : FLYWHEEL, COVENTRY  
Telephone : COVENTRY, 3181 (31 lines)

### TRACTOR DIVISION :

BANNER LANE, COVENTRY  
Telegrams : STACK, COVENTRY  
Telephone : COVENTRY, 66611  
(15 lines)

### COVENTRY SERVICE SPARES DEPOT :

FLETCHAMSTEAD, COVENTRY  
Telegrams : FLYWHEEL, COVENTRY  
Telephone : COVENTRY 62471 (4 lines)

### LONDON SERVICE DEPOT :

STANDARD ROAD, CHASE ESTATE,  
PARK ROYAL, N.W.10  
Telegrams : STANTRI, NORPHONE,  
LONDON  
Telephone : ELGAR 6511 (11 lines)

# INDEX

---

	Page
<b>A</b>	
Accelerator Pedal Details... ..	52
Air Silencer ... ..	40
Axle, Rear ... ..	88
<b>B</b>	
Backlight Details ... ..	156
Bearing, Main ... ..	18
Body and Body Sections ... ..	128
Bonnet Details ... ..	126
Brake Details ... ..	95
<b>C</b>	
Camshaft Chain Wheel ... ..	22
Camshaft Details ... ..	22
Carburettor ... ..	36
Carburettor Controls ... ..	40
Change Speed Details ... ..	80
Chassis Frame ... ..	64
Clutch ... ..	42
Clutch and Brake Operation Details ...	48
Clutch Operating ... ..	42
Combustion Head ... ..	10
Connecting Rods and Bearings ... ..	18
Crankshaft Details ... ..	18
Cylinder Block Details ... ..	6
<b>D</b>	
Dash Handbrake ... ..	101
Distributor and Oil Pump Details ...	24
Dynamo Mounting... ..	26
<b>E</b>	
Engine Unit ... ..	6
Engine Dipstick ... ..	14
Engine Gearbox Mounting ... ..	62
Exhaust Details ... ..	104
Electrical Details ... ..	115
<b>F</b>	
Fan Details ... ..	30
Front Bumper ... ..	112
Front Engine Plate Details ... ..	10
Front Seat and Fittings ... ..	160
Front Suspension Details ... ..	66
Flywheel Details ... ..	26
<b>G</b>	
Gearbox and Clutch Housing ... ..	44
Gearbox Details ... ..	54
<b>H</b>	
Heater Details (3½ Kw.) ... ..	166
Hydraulic Pipe Details ... ..	100



<b>I</b>		Page
Inlet and Exhaust Manifold	...	34
Inlet and Exhaust Valves	...	24

<b>M</b>		Page
Main Bearings	...	18
Miscellaneous Details, Chassis	...	125
Miscellaneous Details, Coach	...	165

<b>N</b>		Page
Number Plates, Rear	...	114

<b>O</b>		Page
Oil Pressure Adjustment	...	14
Oil Pump Details	...	22
Oil Retaining Cover	...	14
Oil Sump Details	...	10

<b>P</b>		Page
Paint and Trim Particulars	...	165
Petrol Pipe	...	111
Petrol Pump Details	...	32
Petrol Tank Details	...	110
Piston Details	...	20
Propellor Shaft	...	86

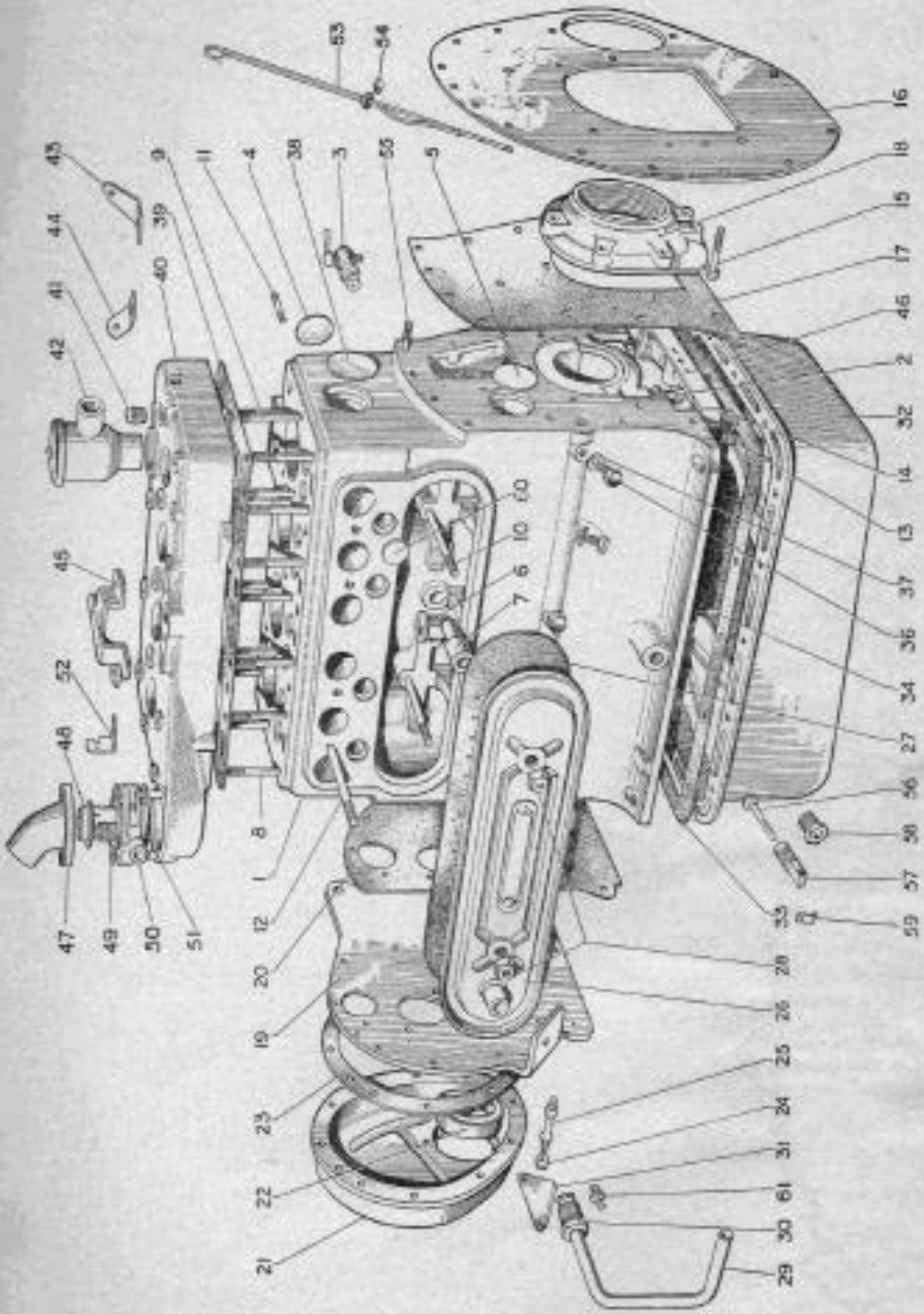
<b>R</b>		Page
Radiator Details	...	108
Rear Axle	...	88
Rear Bumper Details	...	112
Rear Engine Plates	...	12
Rear Quarter Left-hand Details	...	154
Rear Quarter Left & Right-hand Details	...	150
Rear Road Spring	...	94
Rear Seats and Cushions	...	162
Road Wheels	...	111
Rubber Floor Mats	...	164
Rubber Plugs and Grommets	...	164

<b>S</b>		Page
Steering Unit Details	...	76
<i>Speedometer Cable</i>	...	<i>120</i>

<b>T</b>		Page
Timing Cover Details	...	12
Thermostat	...	16
Tool Kit	...	124
Trunk Lid Details	...	154

<b>V</b>		Page
Valve Tappet and Guides	...	24
Vent Pipe Details	...	14
Valve Tappet Cover	...	14

<b>W</b>		Page
Water Pump Details	...	28
Windscreen Details	...	148



## TRIUMPH MAYFLOWER SPARE PARTS LIST

Ref. No.	Part No.	Description	No. Of	Remarks
<b>ENGINE UNIT</b>				
	500188	Engine unit complete ... ..	1	
	500523	Engine service replacement ... ..	1	
		Consisting of Part No. 500188		
		Less :		
		All electrics		
		Carburettor and air cleaner		
		Clutch		
		Water pump		
		Dynamo mounting		
		Petrol pump		
		Thermostat and pipe		
		Inlet and exhaust manifold		
	500390	Gasket set ... ..	1	
<b>CYLINDER BLOCK DETAILS</b>				
1	300136	Cylinder block assembly ... ..	1	
2	100373	Set screw, cap to block ... ..	6	
	WL.0211	Lock washer, cap to block ... ..	6	
3	61478	Drain tap ... ..	1	
	WF.0511	Fibre washer, for drain cap ... ..	1	
4	26435	Expansion plug, side core holes ... ..	3	
5	27378	Expansion plug, rear end of camshaft ... ..	1	
	DP.0408	Dowel, rear bearing cap ... ..	1	
	42374	Oil pressure plug ... ..		
36	101022	Plug, rear core oil gallery ... ..	4	
37	500469	Washer, for plug ... ..	4	

## TRIUMPH MAYFLOWER SPARE PARTS LIST

Ref. No.	Part No.	Description	No. Off	Remarks
38	58845	Expansion plug, rear end	1	
60	102970	Expansion plug, side core holes	4	
	100862	Valve guide	8	
	48851	Valve seat insert, exhaust	As req.	
	102940	Valve seat insert, inlet	As req.	
6	100127	Bush, distributor drive shaft	1	
7	100834	Bush, fuel pump push rod	1	
8	100382	Stud, cylinder head attachment	6	
9	100489	Stud, cylinder head attachment	2	
34	100463	Stud, oil pump attachment	3	
10	100444	Stud, tappet cover attachment	2	
11	100433	Stud, fuel pump attachment	2	
12	103195	Stud, manifold attachment	2	
46	100349	Sealing block	2	
13	36234	Filling piece	4	
14	100501	Cheese head screw, cylinder block attachment	4	
15	100359	Set screw, rear block to oil retaining cover	2	
	30047	Locking wire, rear block to oil retaining cover	1	



## TRIUMPH MAYFLOWER SPARE PARTS LIST

Ref. No.	Part No.	Description	No. Off	Remarks
<b>COMBUSTION HEAD DETAILS</b>				
40	300134	Cylinder head ... ..	1	
41	57216	Plug ... ..	1	Not required when heater fitted
	100463	Stud, distributor mounting ... ..	2	
	101635	Stud, thermostat body mounting ... ..	2	
39	200175	Cylinder head gasket ... ..	1	
	NR.3109	Nut, cylinder head attachment ... ..	16	
	WP.0009	Washer, cylinder head attachment ... ..	15	
45	103508	Bracket, ignition coil ... ..	1	
44	101811	Capillary support ... ..	1	
43	101890	Bracket, carburettor return spring ... ..	1	
42	100661	Oil filler assembly ... ..	1	
	57602	Adaptor, Heater pipe ... ..	1	When heater is fitted
52	101051	Anchor bracket, carburettor control cable ... ..	1	
<b>OIL SUMP DETAILS</b>				
32	300069	Oil sump assembly ... ..	1	
	V.7535	Drain plug ... ..	1	
	WF.0524	Fibre washer, drain plug ... ..	1	
33	200623	Washer for sump ... ..	1	
	BH.0805	Set screw, sump attachment ... ..	18	
	WL.0208	Lock washer, sump attachment ... ..	18	
<b>FRONT ENGINE PLATE DETAILS</b>				
19	200182	Front engine plate assembly... ..	1	
31	56244	Oil trough ... ..	1	
	BH.0502	Set screw, trough to plate ... ..	2	
	WL.0205	Lock washer, trough to plate ... ..	2	

## TRIUMPH MAYFLOWER SPARE PARTS LIST

Ref.	Part No.	Description	No. Off	Remarks
20	200091	Front engine plate washer ... ..	1	
	BH.0806	Set screw, plate attachment ... ..	3	
	WL.0208	Lock washer, plate attachment ... ..	3	
<b>REAR ENGINE PLATE DETAILS</b>				
16	300167	Rear engine plate ... ..	1	
17	200097	Washer, rear engine plate ... ..	1	
	DP.0612	Dowel, rear plate attachment ... ..	1	
	DP.0616	Dowel, rear plate attachment ... ..	1	
55	BH.0805	Set screw, rear plate attachment ... ..	8	
	WL.0208	Lock washer, rear plate attachment ... ..	8	
<b>TIMING COVER DETAILS</b>				
21	200101	Timing cover assembly ... ..	1	
33	43752	Anchor plate, tensioner ... ..	1	
	33214	Anchor pin, tensioner ... ..	1	
	WP.0018	Washer ... ..	2	
	PC.0007	Split pin ... ..	2	
	SP.91.B3	Rivet, anchor plate to timing cover ... ..	2	
22	100499	Oil seal, in timing cover ... ..	1	
23	200102	Washer, timing cover ... ..	1	
	BH.0807	Set screw ... ..	5	
	BH.0805	Bolt ... ..	3	
24	100453	Nut, long ... ..	2	
	NH.2008	Nut ... ..	3	
	WL.0208	Lock washer ... ..	10	
25	100417	Front cover support bolt ... ..	1	

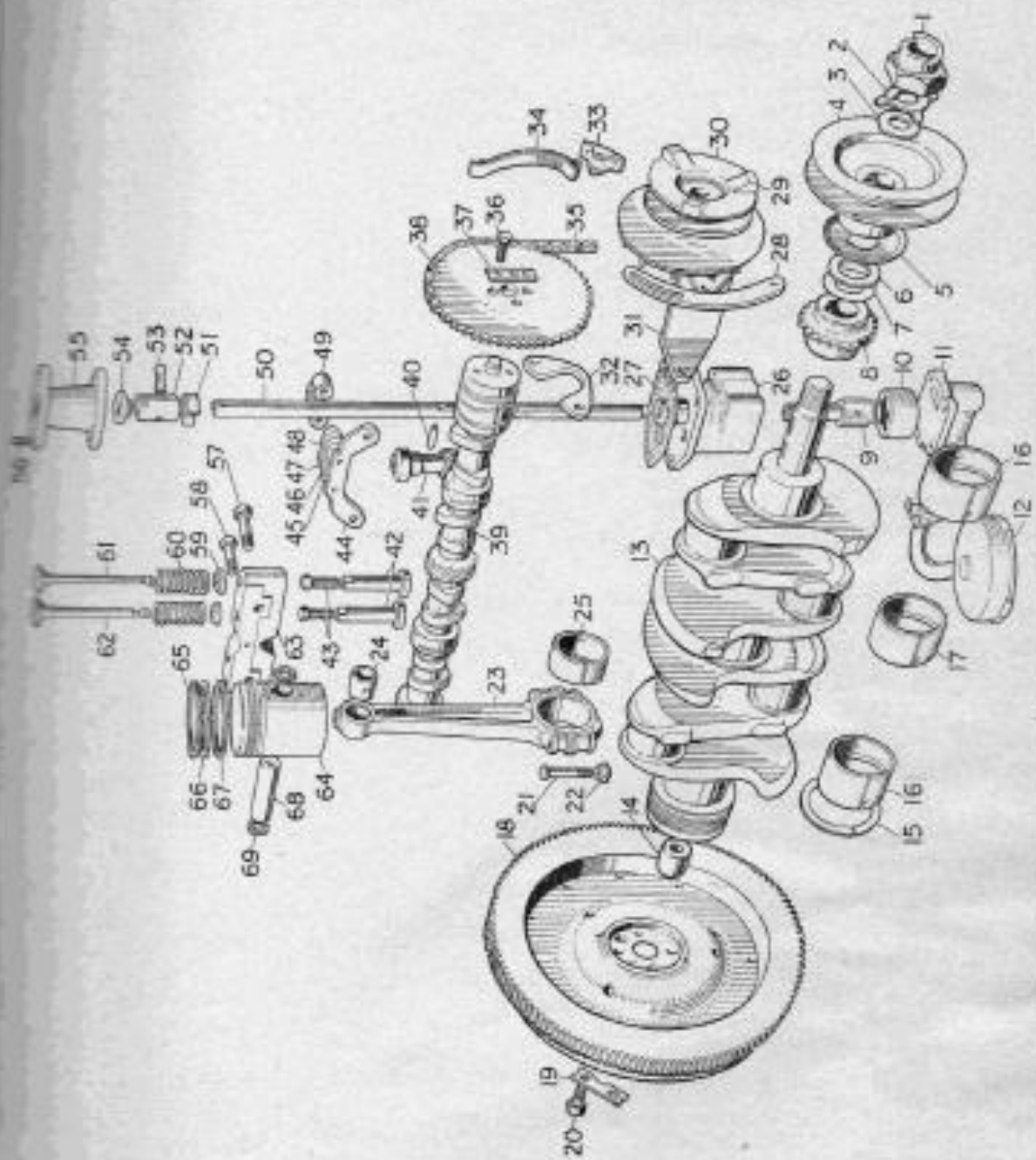
## TRIUMPH MAYFLOWER SPARE PARTS LIST

Ref. No.	Part No.	Description	No. Of	Remarks
<b>OIL PRESSURE ADJUSTMENT DETAILS</b>				
56	102181	Piston relief valve ... ..	1	
57	102182	Adjusting plug ... ..	1	
58	NJ.2113	Lock nut ... ..	1	
	100420	Spring ... ..	1	
59	101436	Clip, for drain pipe ... ..	1	
<b>OIL RETAINING COVER DETAILS</b>				
18	100353	Oil retaining cover ... ..	1	
	BH.0809	Bolt, cover attachment ... ..	5	
	WL.0208	Lockwasher, cover attachment ... ..	5	
<b>VALVE TAPPET COVER DETAILS</b>				
26	100411	Tappet cover assembly ... ..	1	
27	43669	Washer, tappet cover ... ..	1	
28	100443	Dome nut, tappet cover ... ..	2	
	100679	Washer, for dome nut ... ..	2	
<b>VENT PIPE DETAILS</b>				
29	100856	Vent pipe assembly ... ..	1	
30	60899	Valve nut ... ..	1	
	TL.0009	Tubing sleeve ... ..	1	
61	101754	Washer and pin assembly ... ..	1	
	101752	Washer, for vent valve ... ..	1	
	101753	Pin ... ..	1	
<b>ENGINE DIPSTICK DETAILS</b>				
53	101789	Dipstick assembly ... ..	1	
54	32307	Felt washer, dipstick ... ..	1	

## TRIUMPH MAYFLOWER SPARE PARTS LIST

Ref. No.	Part No.	Description	No. Off	Remarks
<b>THERMOSTAT DETAILS</b>				
50	101623	<b>Thermostat housing</b> ... ..	1	
48	100876	<b>Thermostat</b> ... ..	1	
	102876	<b>Thermostat</b> ... ..	1	Cold climates
51	101657	<b>Gasket, for thermostat</b> ... ..	1	
47	101678	<b>Water elbow</b> ... ..	1	
49	57103	<b>Gasket, for elbow</b> ... ..	1	
	101656	<b>Bye-pass connection</b> ... ..	1	
	WL.0208	<b>Lockwasher</b> ... ..	2	
	NH.2008	<b>Nut</b> ... ..	2	
	CS.4018	<b>Pipe clip, for bye-pass connection</b> ... ..	2	





## TRIUMPH MAYFLOWER SPARE PARTS LIST

Ref. No.	Part No.	Description	No. Off	Remarks
<b>CRANK SHAFT AND BEARINGS DETAILS</b>				
13	300414	<b>Crankshaft</b> ... ..	1	
	KW.0624	<b>Woodruff key, No. 9</b> ... ..	2	
8	100431	<b>Crankshaft chain wheel</b> ... ..	1	
5	100447	<b>Oil deflector</b> ... ..	1	
4	200189	<b>Fan pulley</b> ... ..	1	
7	27110	<b>Shim, crankshaft thrust</b> ... ..	As req.	
6	27138	<b>Shim, crankshaft thrust</b> ... ..	As req.	
14	47246	<b>Bearing in crankshaft</b> ... ..	1	
1	100348	<b>Starter jaw</b> ... ..	1	
3	27670	<b>Packing shim</b> ... ..	As req.	
2	27105	<b>Tab washer, starter jaw</b> ... ..	1	
12	101046	<b>Floating oil intake</b> ... ..	1	
<b>MAIN BEARING DETAILS</b>				
16	100326 STD	<b>Main bearing, front and rear</b> ... ..	2 pr	
	100326 -020"	<b>Main bearing, -020"</b> ... ..	2 pr	
	100326 -030"	<b>Main bearing, -030"</b> ... ..	2 pr	
	100326 -040"	<b>Main bearing, -040"</b> ... ..	2 pr	
17	100325 STD	<b>Centre main bearing, STD.</b> ... ..	1 pr	
	100325 -020"	<b>Centre main bearing, -020"</b> ... ..	1 pr	
	100325 -030"	<b>Centre main bearing, -030"</b> ... ..	1 pr	
	100325 -040"	<b>Centre main bearing, -040"</b> ... ..	1 pr	
15	100327	<b>Thrust washer, rear</b> ... ..	2	
<b>CONNECTING RODS AND BEARINGS</b>				
23	100828	<b>Connecting rod assembly</b> ... ..	4	

## TRIUMPH MAYFLOWER SPARE PARTS LIST

Ref. No.	Part No.	Description	No. Off	Remarks
24	100798	Gudgeon pin bush	4	
21	100367	Connecting rod bolt	8	
22	100368	Slotted nut for connecting rod	8	
	PC.0042	Split pin	8	
25	100461	Big end bearing, STD.	4 pr	
	STD			
	100461	Big end bearing, -020"	4 pr	
	-020"			
	100461	Big end bearing, -030"	4 pr	
	-030"			
	100461	Big end bearing, -040"	4 pr	
	-040"			
<b>PISTON DETAILS</b>				
64	101215F 101215G 101215H	Piston assembly, STD.	4	
	101215	Piston assembly, -020"	4	
	-020"			
	101215	Piston assembly, -030"	4	
	-030"			
	101215	Piston assembly, -040"	4	
	-040"			
68	101218	Gudgeon pin, STD.	4	
	101218	Gudgeon pin, service	4	
	SER			
69	500120	Circlip	8	
65	101216	Compression ring, STD.	8	
	STD			
and	101216	Compression ring, -020"	8	
	-020"			
66	101216	Compression ring, -030"	8	
	-030"			
	101216	Compression ring, -040"	8	
	-040"			
67	102811	Scraper ring, STD.	4	
	STD			
	102811	Scraper ring, -020"	4	
	-020"			
	102811	Scraper ring, -030"	4	
	-030"			
	102811	Scraper ring, -040"	4	
	-040"			

## TRIUMPH MAYFLOWER SPARE PARTS LIST

Ref. No.	Part No.	Description	No. Off	Remarks
<b>OIL PUMP DETAILS</b>				
26	100460	Oil pump assembly ... ..	1	
	200114	Oil pump body ... ..	1	
9	100458	Spindle assembly, oil pump ... ..	1	
10	57317	Outer rotor ... ..	1	
11	101045	Oil pump cover ... ..	1	
	BH.0707	Bolt, cover to pump ... ..	4	
	WL.0207	Lockwasher, cover to pump ... ..	4	
27	39430	Washer, oil pump ... ..	1	
	NH.2008	Nut, oil pump attachment ... ..	3	
	WL.0208	Lock washer, oil pump attachment ... ..	3	
<b>CAMSHAFT DETAILS</b>				
39	200664	Camshaft ... ..	1	
32	43768	Locating plate ... ..	1	
	BH.0807	Set screw, camshaft bearing ... ..	2	
	WL.0208	Lock washer ... ..	2	
<b>CAMSHAFT CHAIN WHEEL DETAILS</b>				
38	35960	Camshaft chain wheel ... ..	1	
35	44101	Roller chain ... ..	1	
33	43752	Anchor plate, tensioner ... ..	1	
37	36411	Locating plate ... ..	1	
36	100500	Set screw ... ..	2	
34	42425	Chain tensioner ... ..	1	

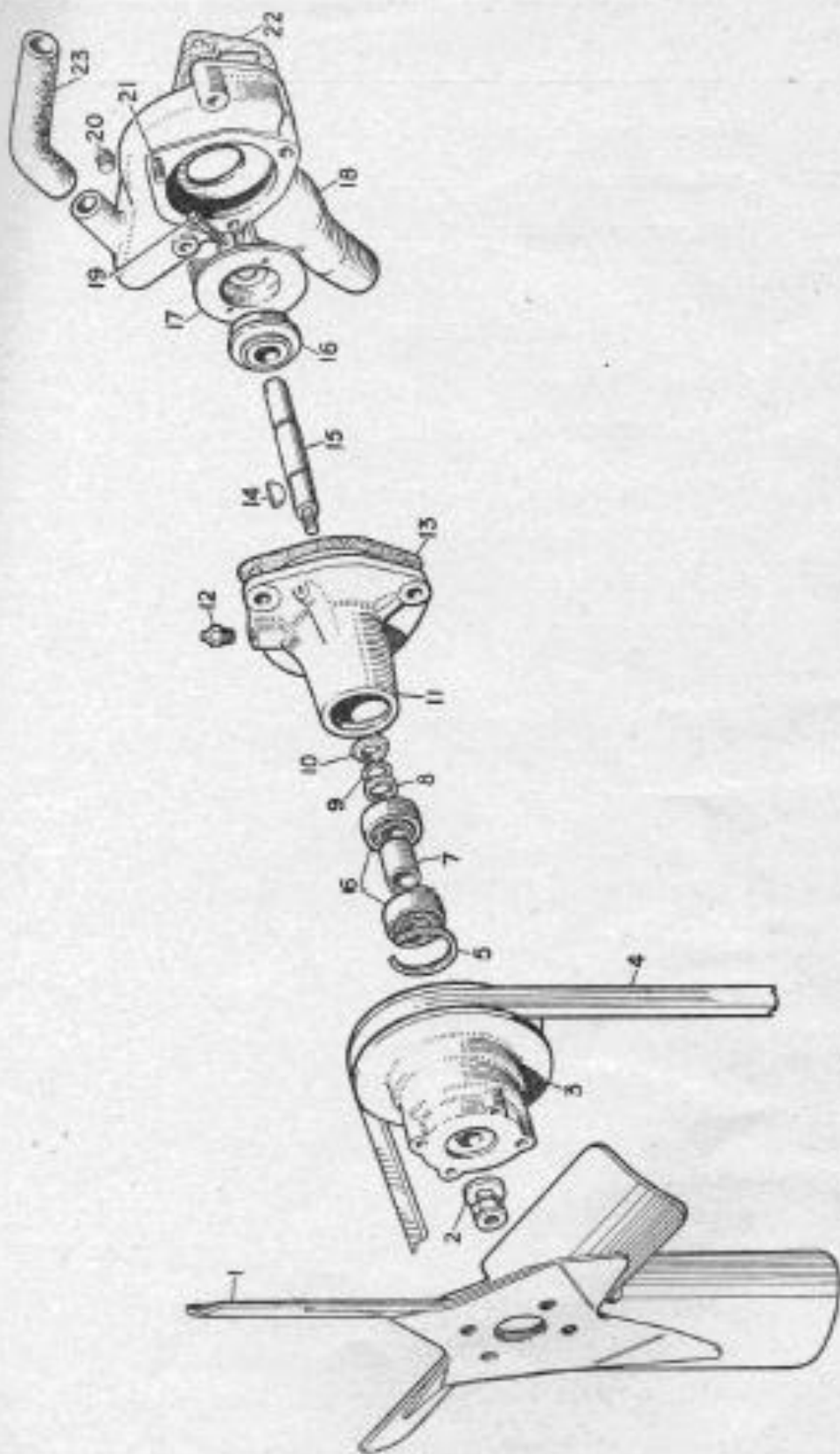


## TRIUMPH MAYFLOWER SPARE PARTS LIST

Ref. No.	Part No.	Description	No. Off	Remarks
<b>VALVE TAPPETS AND GUIDE DETAILS</b>				
63	43617	Valve tappet guide ... ..	2	
44	100818	Plate, oil pump drive adjustment ... ..	1	
58	100401	Set screw, guide attachment ... ..	2	
57	100402	Set screw, abutment and guide attachment ... ..	2	
	WL.0209	Lock washer ... ..	4	
42	100321	Valve tappet ... ..	8	
43	100352	Adjusting screw ... ..	8	
	NH.2008	Nut, locking adjusting screw ... ..	8	
<b>INLET AND EXHAUST VALVE DETAILS</b>				
62	100363	Inlet valve ... ..	4	
61	100364	Exhaust valve ... ..	4	
60	47757	Valve spring ... ..	8	
59	100346	Valve collar ... ..	8	
<b>DISTRIBUTOR AND OIL PUMP DETAILS</b>				
55	100125	Distributor pedestal ... ..	1	
56	100432	Stud, distributor to pedestal ... ..	2	
	NH.2007	Nut, distributor to pedestal ... ..	2	
	33831	Washer, pedestal to head ... ..	1	
50	100853	Driving shaft, distributor ... ..	1	
41	102337	Spiral gear and fuel pump eccentric ... ..	1	
40	101620	Driving pin ... ..	1	
51	101619	Retaining clip ... ..	1	
54	34469	Felt washer, for driving shaft ... ..	1	
52	100854	Distributor dog shaft ... ..	1	
53	100874	Distributor driving cotter ... ..	1	

## TRIUMPH MAYFLOWER SPARE PARTS LIST

Ref. No.	Part No.	Description	No. Off	Remarks
49	100819	<b>Abutment, distributor and pump gear</b> ... ..	1	
45	100835	<b>Shim, .003"</b> ... ..	As req.	
46	100836	<b>Shim, .004"</b> ... ..	As req.	
47	100837	<b>Shim, .005"</b> ... ..	As req.	
48	100838	<b>Shim, .010"</b> ... ..	As req.	
	WL.0207	<b>Lock washer</b> ... ..	2	
	BH.0709	<b>Bolt</b> ... ..	2	
<b>FLYWHEEL DETAILS</b>				
18	300168	<b>Flywheel</b> ... ..	1	
	201350	<b>Gear ring, for flywheel</b> ... ..	1	
	500045	<b>Dowel</b> ... ..	1	
20	102065	<b>Set screw, flywheel attachment</b> ... ..	4	
19	102076	<b>Locking plate</b> ... ..	2	
<b>DYNAMO MOUNTING DETAILS</b>				
31	100809	<b>Dynamo bracket</b> ... ..	1	
29	102986	<b>Dynamo fan assembly</b> ... ..	1	
	59015	<b>Dynamo pedestal</b> ... ..	1	
30	102286	<b>Dynamo pulley</b> ... ..	1	
28	100857	<b>Adjusting link</b> ... ..	1	
	NT.3211	<b>Nut, pedestal to dynamo</b> ... ..	1	
	BH.0806	<b>Bolt, dynamo bracket to cylinder head</b> ... ..	3	
	WL.0208	<b>Lock washer, dynamo bracket to cylinder head</b> ... ..	3	
	59115	<b>Bolt, dynamo to pedestal front</b> ... ..	1	



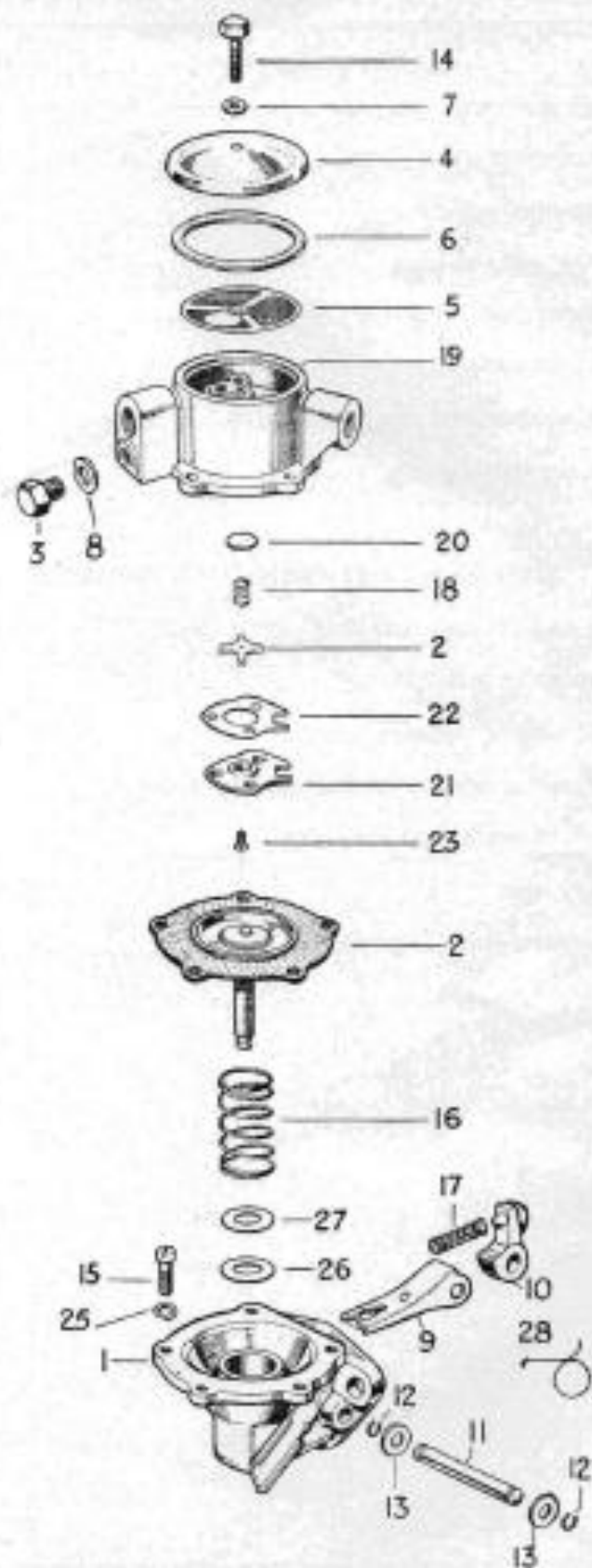
## TRIUMPH MAYFLOWER SPARE PARTS LIST

Ref. No.	Part No.	Description	No. Off	Remarks
<b>WATER PUMP DETAILS</b>				
	100875	Water pump assembly ... ..	1	
	101597	Water pump bearing housing assembly ... ..	1	
18	200198	Pump body ... ..	1	
21	100449	Stud-in pump body ... ..	2	
20	57216	Plug-in pump body ... ..	1	
11	200199	Bearing housing ... ..	1	
12	56935	Grease nipple ... ..	1	
15	101377	Water pump spindle ... ..	1	
9	500047	Circlip ... ..	1	
8	101092	Abutment washer ... ..	1	
6	100764	Ball bearing ... ..	2	
7	100760	Distance piece ... ..	1	
10	60313	Seal, for bearing ... ..	1	
5	100851	Circlip ... ..	1	
17	101400	Impellor ... ..	1	
16	100858	Water pump seal ... ..	1	
19	BH.0509	Bolt ... ..	1	
	WL.0205	Lock washer ... ..	1	
	NH.2005	Nut ... ..	1	
3	200385	Fan pulley ... ..	1	
14	KW.0420	Woodruff key ... ..	1	
2	100766	Retaining washer ... ..	1	
	NN2908	Simmonds nut ... ..	1	
13	100847	Gasket, bearing housing to pump body ... ..	1	
22	100820	Gasket, pump to cylinder head ... ..	1	
23	101656	Bye-pass connection ... ..	1	



## TRIUMPH MAYFLOWER SPARE PARTS LIST

Ref. No.	Part No.	Description	No. Off	Remarks
	101343	<b>Adaptor</b> , water pump body ... ..	1	When heater is fitted
	BH.0817	<b>Bolt</b> , pump to cylinder block ... ..	1	
	BH.0820	<b>Bolt</b> , pump to cylinder block ... ..	1	
<b>FAN DETAILS</b>				
1	200826	<b>Fan assembly</b> ... ..	1	
	38665	<b>Balance piece for fan</b> ... ..	As req.	
4	200203	<b>Fan belt</b> ... ..	1	
	BH.0706	<b>Set screw</b> , fan to pulley... ..	4	
	WL.0207	<b>Lock washer</b> ... ..	4	



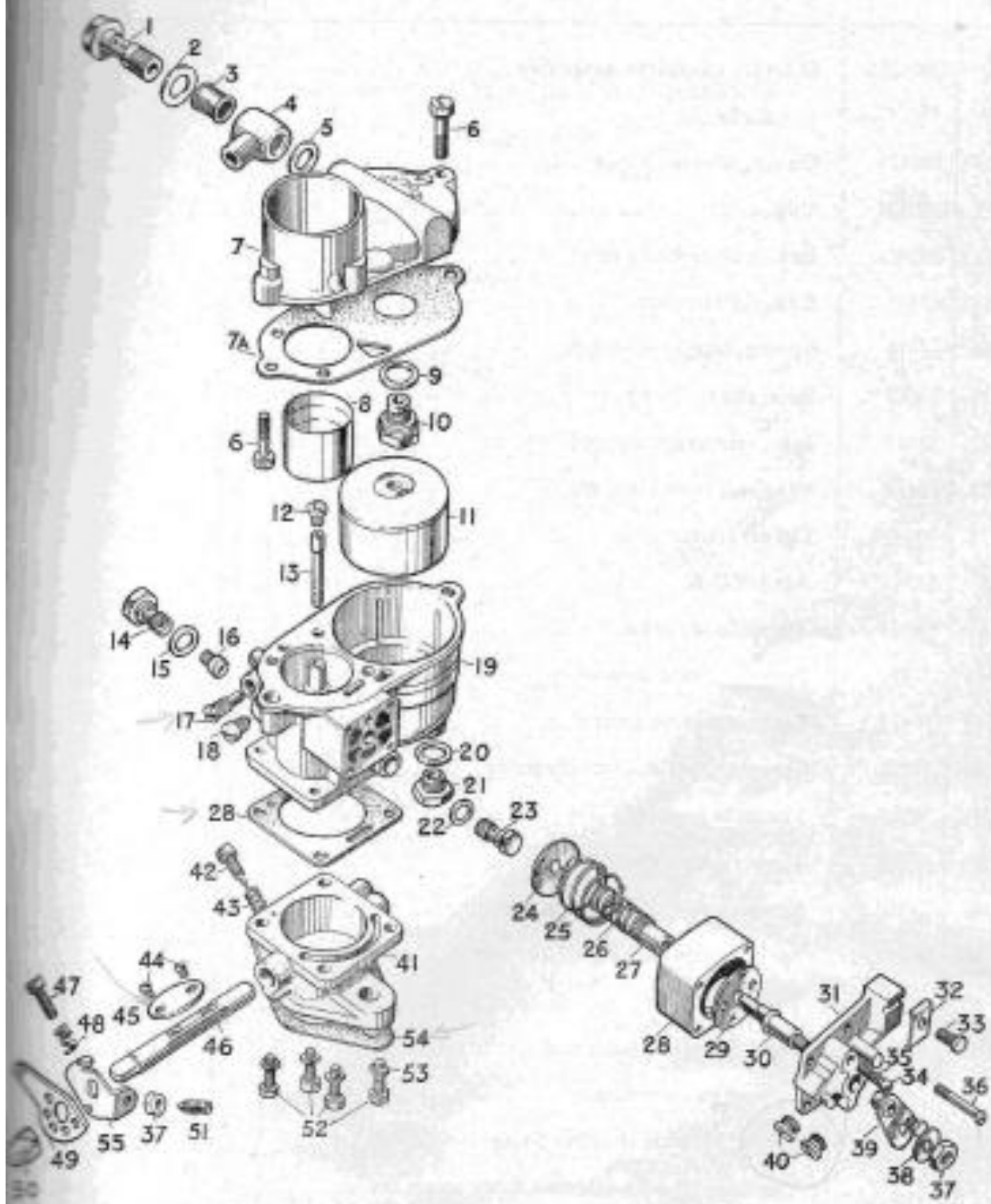
## TRIUMPH MAYFLOWER SPARE PARTS LIST

Ref. No.	Part No.	Description	No. OF	Remarks
<b>PETROL PUMP DETAILS</b>				
	200141	<b>Petrol pump assembly</b> ... ..	1	
1	500291	<b>Pump body</b> ... ..	1	
	100529	<b>Washer, petrol pump</b> ... ..	1	
2	500292	<b>Diaphragm</b> ... ..	1	
3	52465	<b>Drain plug</b> ... ..	1	
4	52467	<b>Filter cover</b> ... ..	1	
5	52469	<b>Filter gauze</b> ... ..	1	
7	52472	<b>Gasket, filter screw</b> ... ..	1	
6	52473	<b>Gasket, filter cover</b> ... ..	1	
8	52471	<b>Gasket, drain plug</b> ... ..	1	
9	500293	<b>Link</b> ... ..	1	
10	500294	<b>Rocker arm</b> ... ..	1	
11	52483	<b>Rocker arm pin</b> ... ..	1	
12	52484	<b>Rocker pin clip</b> ... ..	1	
13	52485	<b>Rocker pin washer</b> ... ..	1	
14	52487	<b>Screw, filter cover</b> ... ..	1	
15	52489	<b>Screw, upper casting</b> ... ..	5	
16	52491	<b>Spring, diaphragm</b> ... ..	1	
17	52493	<b>Spring, rocker arm</b> ... ..	1	
18	52495	<b>Spring, valve</b> ... ..	2	
19	500295	<b>Upper casting and valve seat assembly</b> ... ..	1	
20	57351	<b>Valve</b> ... ..	1	
21	57353	<b>Valve plate</b> ... ..	1	
22	57355	<b>Valve plate gasket</b> ... ..	1	
23	57357	<b>Valve plate screw</b> ... ..	3	
24	57358	<b>Valve spring retainer</b> ... ..	1	

## TRIUMPH MAYFLOWER SPARE PARTS LIST

Ref. No.	Part No.	Description	No. Off	Remarks
25	57361	Lock washer ... ..	5	
26	500296	Washer, oil seal ... ..	1	
27	500297	Washer, oil seal ... ..	1	
	100817	Push rod, fuel pump operation ... ..	1	
	NH.2008	Nut, fuel pump attachment ... ..	1	
	WL.0208	Lock washer, fuel pump attachment ... ..	2	
	104359	Nut, hand primer side ... ..	1	
<b>INLET AND EXHAUST MANIFOLD DETAILS</b>				
	300129	Inlet and exhaust manifold ... ..	1	
	103978	Washer, for manifold ... ..	1	
	101962	Stud, exhaust pipe attachment ... ..	2	
	100490	Stud, carburettor to exhaust pipe attachment ... ..	2	
	101226	Manifold drain pipe assembly ... ..	1	
	61878	Tubing nut ... ..	1	
	100415	Set screw, manifold attachment ... ..	2	
	33148	Manifold clamp ... ..	2	
	100498	Nut ... ..	2	
	WL.0209	Lock washer ... ..	4	





## TRIUMPH MAYFLOWER SPARE PARTS LIST

Ref. No.	Part No.	Description	No. Off	Remarks
<b>CARBURETTOR DETAILS</b>				
	201209	<b>Carburettor and lever assembly</b> ... ..	1	
1	57513	<b>Bolt, banjo union...</b> ... ..	1	
2	57515	<b>Washer, banjo union, large</b> ... ..	1	
3	57514	<b>Gauze, banjo union filter</b> ... ..	1	
4	59700	<b>Union, banjo</b> ... ..	1	
5	57516	<b>Washer, banjo union, small</b> ... ..	1	
6	500431	<b>Screw, float chamber</b> ... ..	2	
7	57510	<b>Cover, float chamber</b> ... ..	1	
7A	500430	<b>Gasket, float chamber</b> ... ..	1	
8	59721	<b>Choke tube</b> ... ..	1	
9	57424	<b>Washer, needle valve</b> ... ..	1	
10	57511	<b>Needle valve</b> ... ..	1	
11	57524	<b>Float</b> ... ..	1	
12	59718	<b>Bleed, main jet correction</b> ... ..	1	
13	500987	<b>Tube, main jet emulsion</b> ... ..	1	
14	57430	<b>Bolt, main jet carrier</b> ... ..	1	
15	57431	<b>Washer, main jet carrier bolt</b> ... ..	1	
16	57519	<b>Main jet</b> ... ..	1	
17	57428	<b>Auxiliary jet</b> ... ..	1	
18	57422	<b>Screw, choke tube fixing</b> ... ..	1	
19	500424	<b>Float chamber</b> ... ..	1	
20	57431	<b>Washer, float chamber drain plug</b> ... ..	1	
21	57522	<b>Drain plug, float chamber</b> ... ..	1	
22	57435	<b>Washer, petrol jet</b> ... ..	1	
23	57434	<b>Jet G.S., petrol</b> ... ..	1	

## TRIUMPH MAYFLOWER SPARE PARTS LIST

Ref. No.	Part No.	Description	No. Of	Remarks
	500429	<b>Starter, complete assembly</b> ... .. Comprising item Nos. 24 to 35 inclusive and 37, 38, 39	1	
31	500425	<b>Cover, starter</b> ... ..	1	
32	500426	<b>Clip, cable</b> ... ..	1	
33	500427	<b>Bolt, starter fixing cable</b> ... ..	1	
34	57415	<b>Ball, starter valve</b> ... ..	1	
35	57416	<b>Spring, starter valve ball</b> ... ..	1	
36	59682	<b>Bolt, starter fixing</b> ... ..	4	
37	57419	<b>Nut, starter spindle end</b> ... ..	1	
38	59679	<b>Washer, starter spindle...</b> ... ..	1	
39	500428	<b>Lever, starter</b> ... ..	1	
40	59716	<b>Air jet G.A.</b> ... ..	2	
41	57503	<b>Throttle chamber</b> ... ..	1	
42	57412	<b>Screw, volume control</b> ... ..	1	
43	57413	<b>Spring, volume control</b> ... ..	1	
44	57506	<b>Screw throttle, butterfly fixing</b> ... ..	2	
45	57505	<b>Throttle butterfly</b> ... ..	1	
46	57504	<b>Throttle spindle</b> ... ..	1	
47	59558	<b>Screw, slow running adjustment</b> ... ..	1	
48	57413	<b>Spring, slow running adjustment</b> ... ..	1	
49	101888	<b>Throttle lever</b> ... ..	1	
50	57419	<b>Nut, throttle spindle end</b> ... ..	1	
51	58331	<b>Screw, throttle stop</b> ... ..	1	
52	57437	<b>Screw, throttle chamber fixing</b> ... ..	4	
53	57547	<b>Washer, throttle chamber fixing screw</b> ... ..	4	
54	100657	<b>Flange washer</b> ... ..	1	
55	58330	<b>Plate, throttle abutment</b> ... ..	1	

## TRIUMPH MAYFLOWER SPARE PARTS LIST

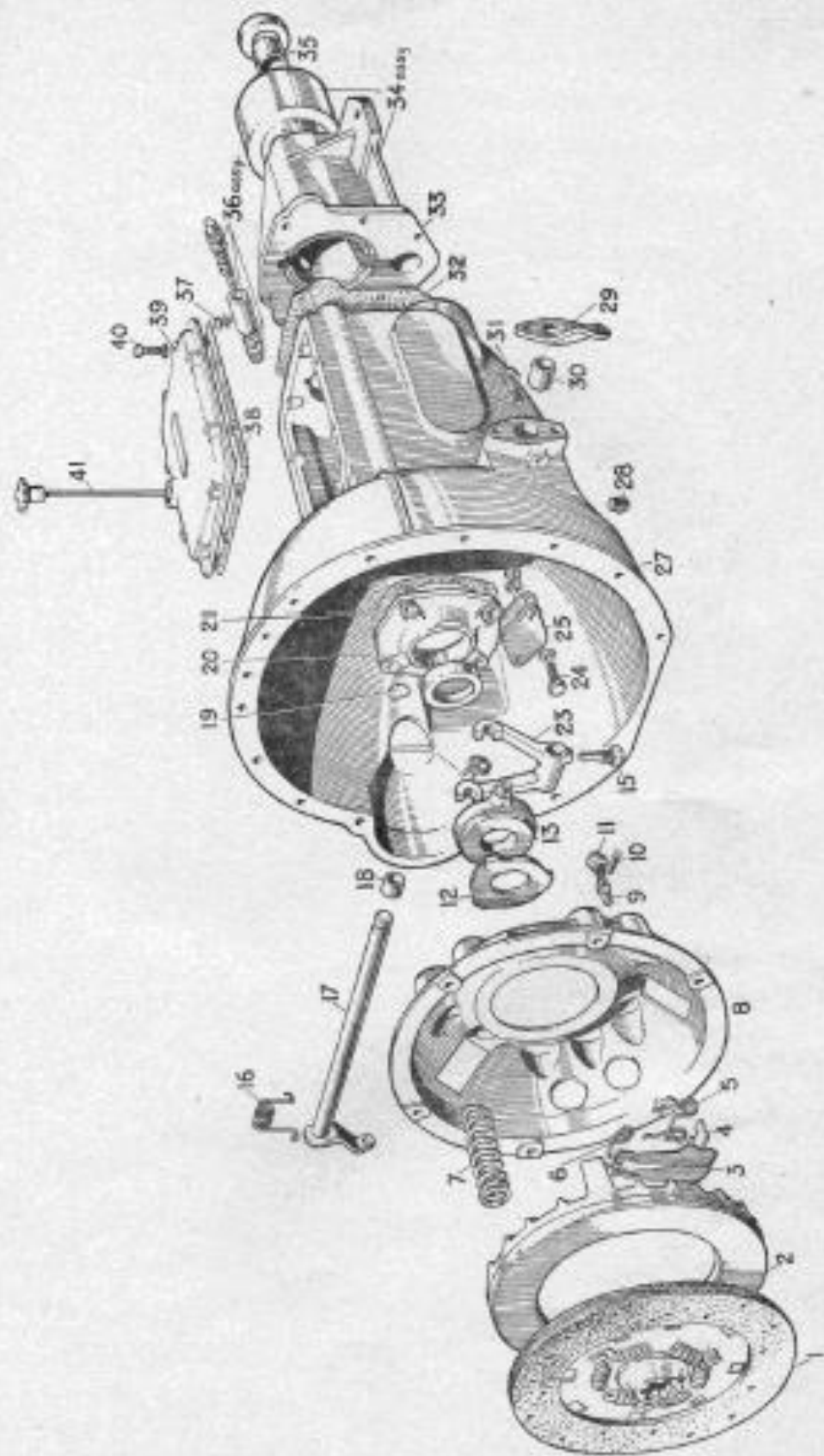
Ref. No.	Part No.	Description	No. Off	Remarks
<b>CARBURETTOR CONTROLS</b>				
	101730	Carburettor control, outer ... ..	1	
	101731	Carburettor control, inner ... ..	1	
	59127	Throttle spring ... ..	1	
	WP.0103	Plain washer ... ..	1	
	101051	Anchor bracket, control cable ... ..	1	
	48008	Cable clip ... ..	1	
	101894	Swivel pin, carburettor ... ..	1	
	37942	Bush, swivel pin ... ..	1	
<b>AIR SILENCER DETAILS</b>				
	200344	Air silencer ... ..	1	} "Home" type air cleaner only
	101784	Grommet air cleaner ... ..	1	
	200677	Bracket air cleaner, rear ... ..	1	
	200739	Support and clip assembly, front ... ..	1	
	BH.0808	Bolt ... ..	2	
	WL.0208	Lockwasher ... ..	2	
	NH.2008	Nut ... ..	2	
	101974	Vent pipe and clip assembly ... ..	1	
	101785	Pipe connection ... ..	1	
	101302	Tubing nut ... ..	1	
	CS.4012	Clip ... ..	2	} "Export" (oil bath) type
	300397	Oilbath air cleaner ... ..	1	
	300395	Support assembly, oil bath air cleaner ... ..	1	
	CD.25560	Grommet, rear bracket ... ..	1	
	101942	Stay, oil bath air cleaner ... ..	1	
	101943	Clip, oil bath air cleaner ... ..	1	

## TRIUMPH MAYFLOWER SPARE PARTS LIST

Ref. No.	Part No.	Description	No. Off	Remarks
	BH.0808	<b>Bolt</b> . . . . .	1	} Air cleaner only
	WL.0208	<b>Lock washer</b> . . . . .	1	
	NH.2008	<b>Nut</b> . . . . .		
	102029	<b>Vent pipe and clip assembly</b> . . . . .	1	
	101302	<b>Tubing nut</b> . . . . .	1	
	101785	<b>Pipe connection</b> . . . . .	1	
	CS.4012	<b>Pipe clip</b> . . . . .	2	

*It is always essential to quote the commission number — with prefix or suffix letters (if any) — inscribed on the plate fixed to scuttle under bonnet.*





## TRIUMPH MAYFLOWER SPARE PARTS LIST

Ref. No.	Part No.	Description	No. Off	Remarks
<b>CLUTCH DETAILS</b>				
	500257	<b>Clutch cover assembly</b> ... ..	1	
8	500258	<b>Cover</b> ... ..	1	
7	38771	<b>Thrust spring (yellow)</b> ... ..	6	
6	38777	<b>Anti-rattle spring</b> ... ..	3	
11	38776	<b>Nut-eye bolt</b> ... ..	3	
2	42527	<b>Pressure plate</b> ... ..	1	
3	42529	<b>Release lever</b> ... ..	3	
9	42532	<b>Eye bolt</b> ... ..	3	
4	42530	<b>Strut</b> ... ..	3	
10	42531	<b>Release lever pin</b> ... ..	3	
12	500259	<b>Release lever plate</b> ... ..	1	
5	500260	<b>Release lever retainer</b> ... ..	3	
13	501009	<b>Release bearing assembly</b> ... ..	1	
	47261	<b>Retainer, for release bearing</b> ... ..	2	
1	500436	<b>Driven plate</b> ... ..	1	
	500262	<b>Facing package</b> ... ..	1	
	100984	<b>Dowel, clutch to flywheel</b> ... ..	2	
	BH.0805	<b>Bolt</b> ... ..	6	
	WL.0208	<b>Lock washer</b> ... ..	6	

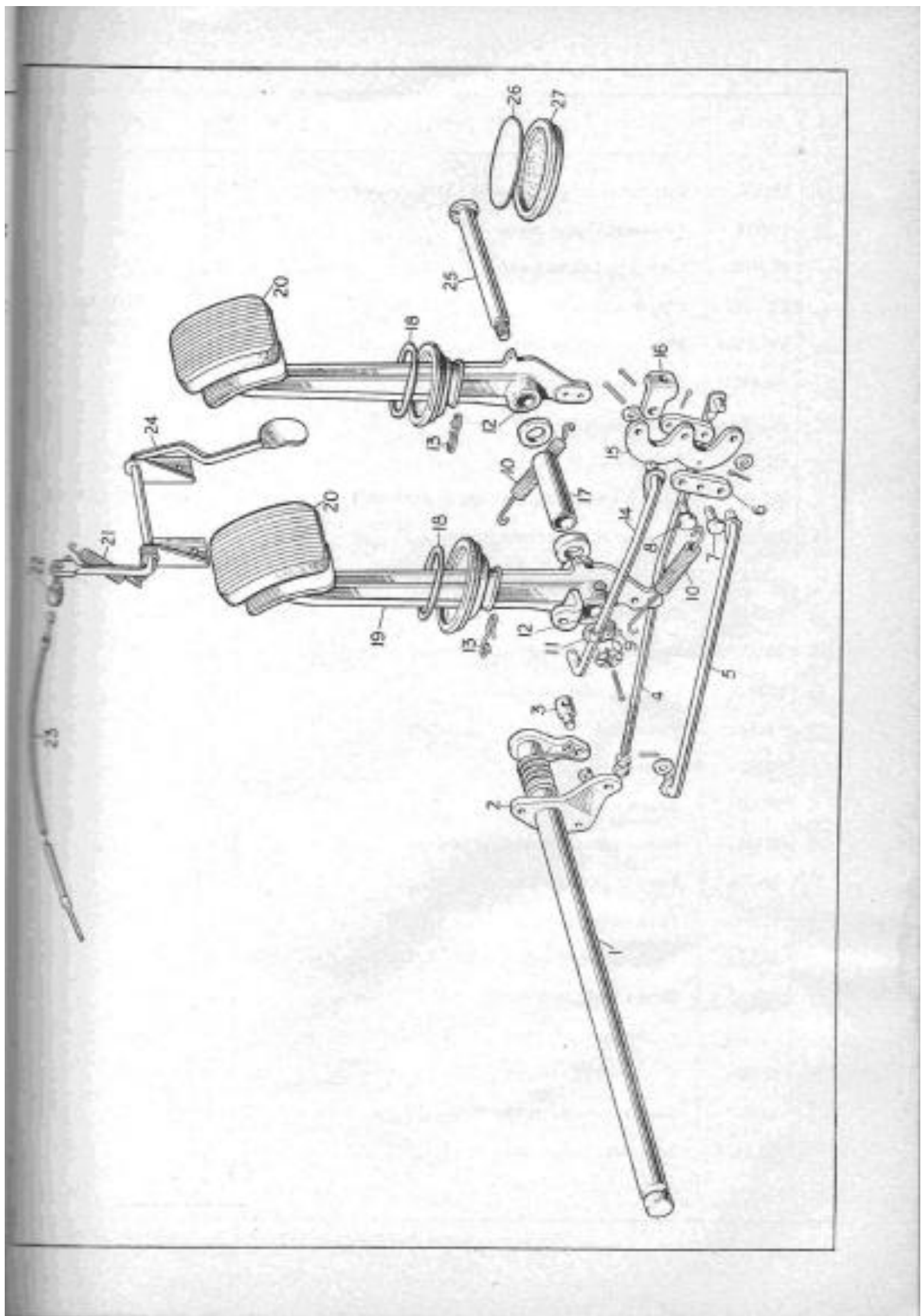
## TRIUMPH MAYFLOWER SPARE PARTS LIST

Ref. No.	Part No.	Description	No. Off	Remarks
<b>GEARBOX AND CLUTCH HOUSING DETAILS</b>				
27	300166	Gearbox and clutch housing ... ..	1	Right hand steering
	300406	Gearbox and clutch housing ... ..	1	Left hand steering
28	57216	Drain plug ... ..	1	
18	36998	Bush, clutch shaft ... ..	1	
19	60420	Welch plug, fitted in housing ... ..	1	
30	36997	Bush, clutch shaft ... ..	1	
20	59536	Front end cover ... ..	1	
21	59537	Washer, front end cover ... ..	1	
	60215	Oil seal, front end cover ... ..	1	
24	55771	Set screw, cover to gearbox ... ..	4	
	30123	Lead linger ... ..	As req.	
	WP.0107	Plain washer ... ..	4	
25	55773	Cover, front end, countershaft ... ..	1	
26	55774	Washer, for front end cover ... ..	1	
39	55818	Top cover ... ..	1	
38	55791	Washer, for top cover ... ..	1	
41	58959	Dipstick assembly ... ..	1	
	40717	Felt washer, for dipstick ... ..	1	
33	300248	Gearbox extension ... ..	1	
32	55778	Washer, gearbox extension ... ..	1	
34	102059	Gearbox extension and sleeve assembly ... ..	1	
35	100365	Oilite bush, fitted in extension ... ..	1	
	100650	Oil seal, fitted in extension ... ..	1	

## TRIUMPH MAYFLOWER SPARE PARTS LIST

Ref. No.	Part No.	Description	No. Off	Remarks
36	60259	<b>Speedo driven gear and bearing assembly</b> ...	1	
		Comprising :		
		58969 Speedo driven gear ... ..	1	
		58968 Speedo bearing ... ..	1	
		60247 Oil seal, speedo drive ... ..	1	
		60246 Screwed end ... ..	1	
		56305 Locating screw, speedo bearing ... ..	1	
37	WL.0208	<b>Lock washer</b> ... ..	1	
	BH.0858	<b>Bolt, extension to gearbox</b> ... ..	6	
	WL.0208	<b>Lock washer, extension to gearbox</b> ... ..	6	
40	BH.0858	<b>Bolt, top cover to gearbox</b> ... ..	8	
	WL.0208	<b>Lock washer, top cover to gearbox</b> ... ..	8	
23	56963	<b>Clutch operating fork</b> ... ..	1	
15	56965	<b>Pin, for fork</b> ... ..	1	
	30047	<b>Locking wire</b> ... ..	1	
31	102805	<b>Locating bolt, shaft to gearbox</b> ... ..	1	
	WL.0208	<b>Lock washer, shaft to gearbox</b> ... ..	1	
29	50271	<b>Clutch housing bracket</b> ... ..	1	Right hand steering
	102423	<b>Clutch housing bracket</b> ... ..	1	Left hand steering
17	102333	<b>Clutch operating shaft assembly</b> ... ..	1	Right hand steering
	102422	<b>Clutch operating shaft assembly</b> ... ..	1	Left hand steering
16	40488	<b>Spring, for shaft</b> ... ..	1	Right hand steering
	56200	<b>Spring, for shaft</b> ... ..	1	Left hand steering

*It is always essential to quote the commission number — with prefix or suffix letters (if any) — imprinted on the plate fixed to scuttle under bonnet.*





**TRIUMPH MAYFLOWER SPARE PARTS LIST**

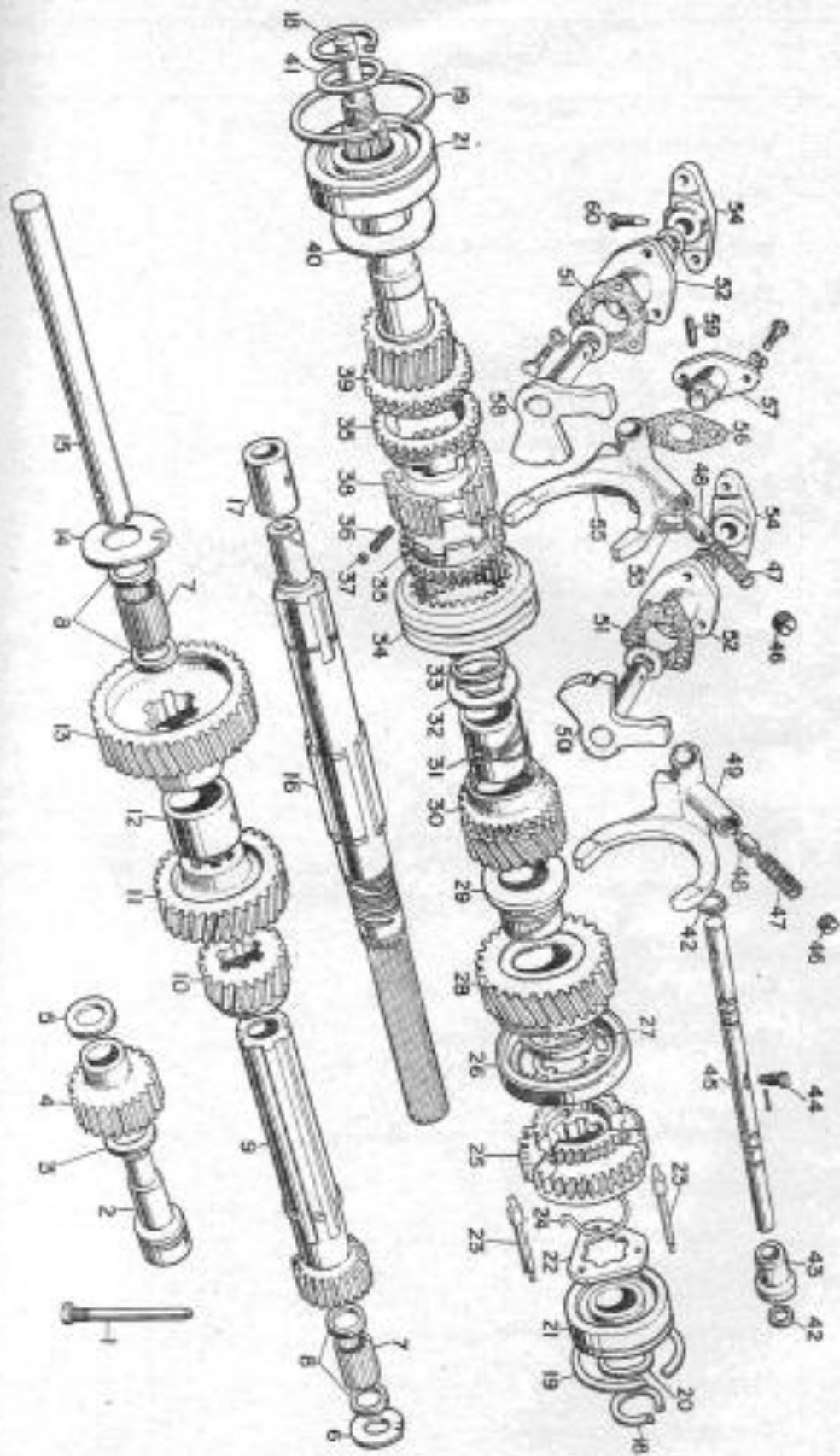
Ref. No.	Part No.	Description	No. Off	Remarks
<b>CLUTCH AND BRAKE OPERATION</b>				
1	102333	Clutch operating shaft assembly ... ..	1	Right hand steering
	102422	Clutch operating shaft assembly ... ..	1	Left hand steering
2	50271	Clutch housing bracket ... ..	1	Right hand steering
	102423	Clutch housing bracket ... ..	1	Left hand steering
	BH.0857	Bolt, bracket to gearbox ... ..	2	
	WL.0208	Lock washer, bracket to gearbox ... ..	2	
→ 3	101853	Swivel pin ... ..	1	
→ 4	102355	Clutch operating rod lower assembly ... ..	1	Right hand steering
	102418	Clutch operating rod lower assembly ... ..	1	Left hand steering
5	102356	Link rod assembly ... ..	1	Right hand steering
	102420	Link rod assembly ... ..	1	Left hand steering
6	57079	Clutch operating link ... ..	2	
7	36834	Joint pin, links to frame ... ..	1	
	WP.0010	Washer, links to frame ... ..	1	
	PC.0010	Pin, links to frame ... ..	1	
8	57084	Joint pin, lever to links ... ..	1	
	WP.0009	Washer, lever to links ... ..	1	
	PC.0010	Pin, lever to links ... ..	1	
9	37613	Clip, pedal return spring ... ..	1	
10	27645	Pedal return spring ... ..	1	
	BH.0504	Bolt ... ..	1	
	WL.0205	Lock washer ... ..	1	
	NH.2005	Nut ... ..	1	
	101333	Grommet, for pedals ... ..	2	
11	102338	Washer, inner ... ..	1	
12	100954	Oilite bush ... ..	2	

## TRIUMPH - MAYFLOWER SPARE PARTS LIST

Ref. No.	Part No.	Description	No. Off	Remarks
13	102610	Clip for pedal grommet ... ..	2	} Right hand steering only
14	106429	Top link, clutch operating ... ..	2	
	PJ.8808	Link pin, link to lever ... ..	1	
	PC.0008	Pin, link to lever ... ..	1	
	WP.0008	Washer, link to lever ... ..	1	
	106440	Anchor plate, pedal return spring ... ..	1	
	PJ.8808	Link pin, link to pedal ... ..	1	
	PC.0008	Pin, link to pedal ... ..	1	
	102416	Clutch operating rod upper assembly ... ..	1	Left hand steering
15	102359	Clutch intermediate lever ... ..	1	
16	102331	Bracket compensator, clutch... ..	1	
17	100616	Distance piece ... ..	1	
18	101859	Pedal grommet plate ... ..	2	
19	102328	Clutch pedal assembly ... ..	1	
20	56168	Pedal pad ... ..	2	
	58392	Grease nipple ... ..	1	
	100609	Brake pedal assembly ... ..	1	
26	101335	Cover plate for sealing pad ... ..	4	
27	101336	Sealing pad for grommet ... ..	4	
	101545	Fork end assembly ... ..	1	
	SP.24.E	Locknut, fork end ... ..	1	
	100655	Brake rod, right hand ... ..	1	
	100656	Brake rod, left hand ... ..	1	
	57190	Clevis joint assembly ... ..	2	
	101007	Clevis joint assembly ... ..	2	
	NJ.2107	Jam nut, brake rods ... ..	4	

## TRIUMPH MAYFLOWER SPARE PARTS LIST

Ref. No.	Part No.	Description	No. Off	Remarks
<b>ACCELERATOR DETAILS</b>				
21	44664	<b>Pull off spring, pedal return</b> ... ..	1	
22	101614	<b>Abutment for cable, carburettor control</b> ... ..	1	
	FP.1007	<b>Simmonds nut, abutment to dash</b> ... ..	1	
	59127	<b>Throttle spring</b> ... ..	1	
23	101730	<b>Carburettor cable, outer</b> ... ..	1	
23	101731	<b>Carburettor cable, inner</b> ... ..	1	
24	101414	<b>Accelerator pedal assembly</b> ... ..	1	Right hand steering
	102050	<b>Accelerator pedal assembly</b> ... ..	1	Left hand steering
	100607	<b>Bracket, accelerator pedal</b> ... ..	2	
	BH.0760	<b>Set screw, bracket to bush</b> ... ..	3	
	BH.0758	<b>Set screw</b> ... ..	1	
	FU.2557	<b>Simmonds nut</b> ... ..	3	
	NJ.2157	<b>Jam nut</b> ... ..	1	
25	100369	<b>Clutch and brake pedal shaft</b> ... ..	1	



## TRIUMPH MAYFLOWER SPARE PARTS LIST

Ref. No.	Part No.	Description	No. Of	Remarks
<b>GEARBOX DETAILS</b>				
<i>Note.—All gears must be replaced in pairs</i>				
	300407	Gearbox assembly ... ..	1	Right hand steering
	300408	Gearbox assembly ... ..	1	Left hand steering
1	55715	Retaining screw, reverse shaft to box ... ..	1	
	WL.0208	Lock washer for retaining screw ... ..	1	
2	55713	Reverse spindle ... ..	1	
3	55723	Thrust washer, rear, on spindle ... ..	1	
4	58082	Reverse wheel assembly ... ..	1	Up to Comm. No. TT24065 only
	62072	Reverse wheel assembly ... ..	1	Comm. No. TT24065 and future
5	55722	Thrust washer, front, on spindle ... ..	1	
6	55720	Thrust washer, countershaft, rear ... ..	1	
7	58088	Needle roller, on countershaft gear ... ..	48	
8	55721	Retaining ring, on countershaft ... ..	4	
9	59450	Countershaft gear ... ..	1	
10	60269	First speed gear, on countershaft ... ..	1	Up to Comm. No. TT24065 only
	62068	First speed gear, on countershaft ... ..	1	Comm. No. TT24065 and future
11	200891	Second speed gear, on countershaft ... ..	1	Up to Comm. No. TT24065 only
	201317	Second speed gear, on countershaft ... ..	1	Comm. No. TT24065 and future
12	59456	Distance piece, second and constant ... ..	1	
13	59447	Constant gear, on countershaft ... ..	1	Up to Comm. No. TT24065 only
	62069	Constant gear, on countershaft ... ..	1	Comm. No. TT24065 and future
14	59454	Thrust washer, countershaft, front ... ..	1	
15	55699	Countershaft ... ..	1	
16	200355	Mainshaft ... ..	1	
17	55911	Bush, constant pinion ... ..	1	
18	58956	Cirelip for constant pinion ... ..	1	



## TRIUMPH MAYFLOWER SPARE PARTS LIST

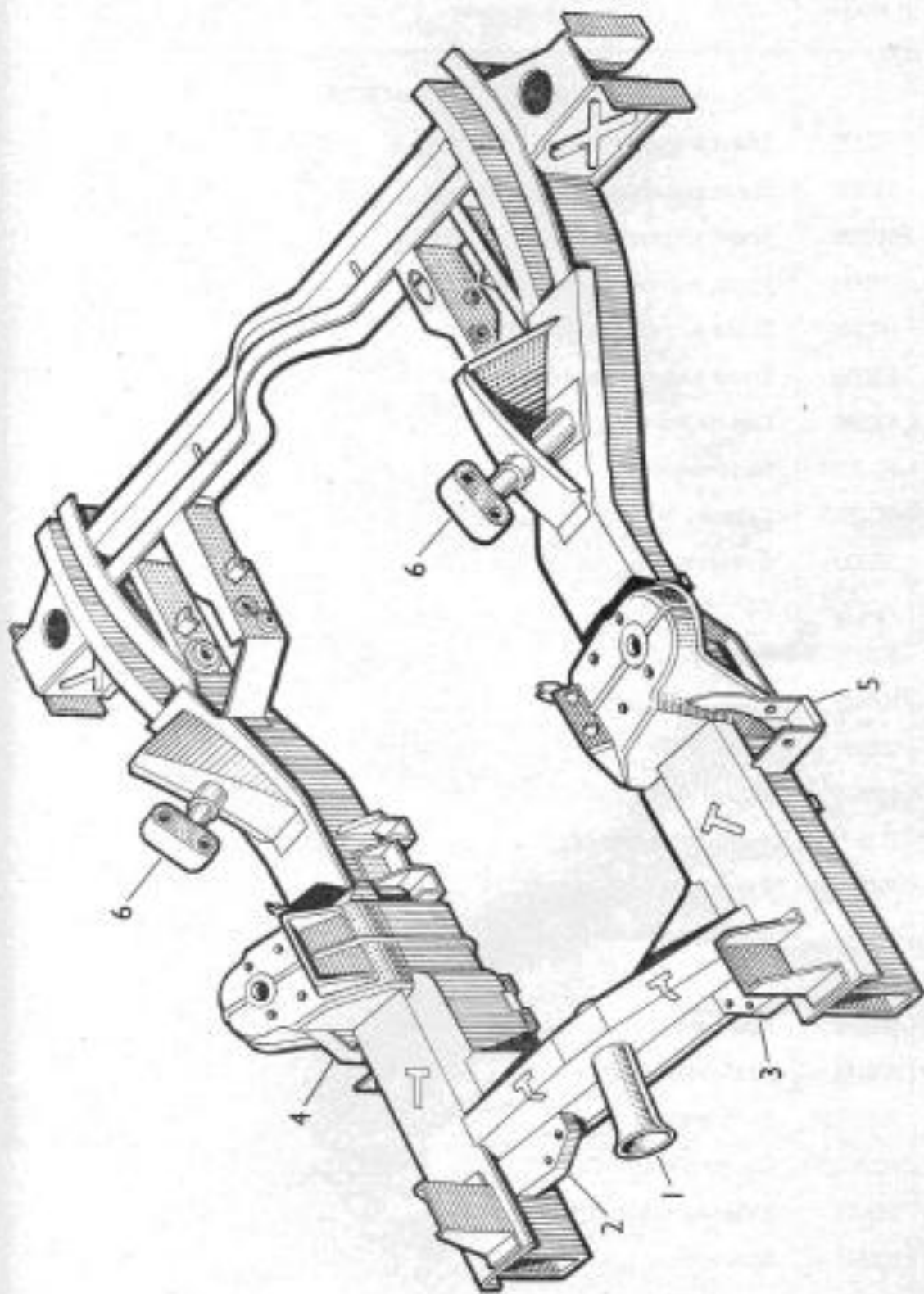
Ref. No.	Part No.	Description	No. Off	Remarks
	104728	<b>Constant pinion assembly</b> ... ..	1	Comm. No. TT25116 and future
40	60658	<b>Oil thrower, constant pinion</b> ... ..	1	
41	60078	<b>Washer for ball bearings</b> ... ..	1	
42	60389	<b>Packing ring for selector</b> ... ..	2	
43	58951	<b>Bush for selector rod</b> ... ..	1	
44	56310	<b>Stop screw, selector rod</b> ... ..	1	
	30047	<b>Locking wire</b> ... ..	As req.	
45	58950	<b>Selector rod</b> ... ..	1	
46	55980	<b>Plunger retaining screw</b> ... ..	2	
	PC.0033	<b>Split pin</b> ... ..	2	
47	101236	<b>Spring for plunger</b> ... ..	2	
48	56366	<b>Plunger in selector fork</b> ... ..	2	
49	56198	<b>Selector fork, first and reverse</b> ... ..	1	Right hand steering
	59099	<b>Selector fork, first and reverse</b> ... ..	1	Left hand steering
50	102016	<b>Selector assembly, top and second</b> ... ..	1	Right hand steering
	102016	<b>Selector assembly, first and reverse</b> ... ..	1	Left hand steering
51	55994	<b>Washer, selector bush</b> ... ..	2	
	BH.0756	<b>Bolt, selector bush attachment</b> ... ..	6	
	WL.0207	<b>Lock washer</b> ... ..	6	
52	55978	<b>Selector bush, in gearbox</b> ... ..	2	
53	55815	<b>Taper set screw, selector rod to gearbox</b> ... ..	1	
	NJ.2158	<b>Locknut, selector rod to gearbox</b> ... ..	1	
54	59319	<b>Coupling lever, to selector</b> ... ..	2	
55	55953	<b>Selector fork, top and second</b> ... ..	1	
56	55993	<b>Washer, interlock spigot</b> ... ..	1	
	BH.0756	<b>Bolt, spigot to gearbox</b> ... ..	2	
	WL.0207	<b>Lock washer, to gearbox</b> ... ..	2	

## TRIUMPH MAYFLOWER SPARE PARTS LIST

Ref. No.	Part No.	Description	No. Off	Remarks
57	102073	<b>Interlock spigot assembly</b> ... ..	1	
58	102017	<b>Selector assembly, top and second</b> ... ..	1	Left hand steering
	102017	<b>Selector assembly, first and reverse</b> ... ..	1	Right hand steering
59	55981	<b>Interlock</b> ... ..	1	
60	60662	<b>Taper set screw, lever to selector</b> ... ..	2	

## TRIUMPH MAYFLOWER SPARE PARTS LIST

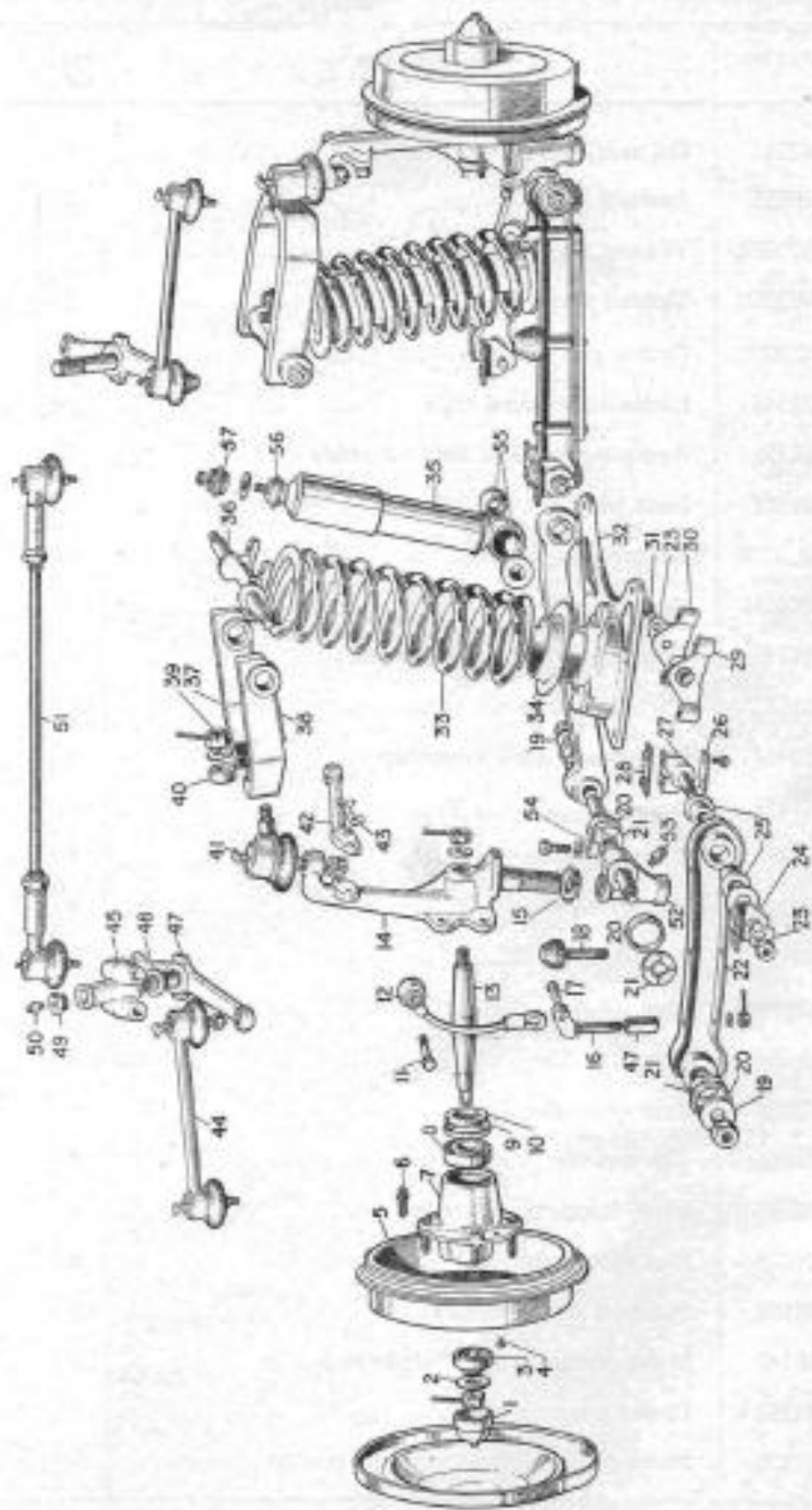
Ref. No.	Part No.	Description	No. Off	Remarks
<b>ENGINE AND GEARBOX MOUNTING DETAILS</b>				
	BH.0807	Bolt, engine to gearbox ... ..	7	
	WL.0208	Lock washer, engine to gearbox ... ..	10	
	NH.2008	Nut, engine to gearbox ... ..	10	
	100456	Dowel bolt, engine to gearbox ... ..	2	
	NH.2009	Nut ... ..	2	
	WL.0209	Lock washer ... ..	2	
	100281	Packing for starter motor ... ..	1	
	BH.0913	Bolt, starter to engine gearbox ... ..	2	Alternative (BH.0915 required for maximum shimming)
	BH.0915	Bolt, starter to engine gearbox ... ..	2	
	NH.2009	Nut, starter to engine gearbox ... ..	2	
	WL.0209	Lock washer, starter to engine gearbox ... ..	2	
	104549	Shim for starter motor ... ..	As req.	
	200662	Front engine mounting, right hand ... ..	1	
	200663	Front engine mounting, left hand ... ..	1	
	BH.0908P	Bolt, mounting to frame ... ..	4	Up to Comm. No. TT6019 only Comm. No. TT6010 and future Comm. No. TT6010 and future Comm. No. TT6010 and future
	102306	Stud, mounting to frame ... ..	4	
	NH.2009	Nut, mounting to frame ... ..	4	
	WM.0059	Plain washer, mounting to frame ... ..	4	
	WL.0209	Lock washer, mounting to frame ... ..	4	
	100645	Rear engine mounting ... ..	1	
	BH.0910	Bolt, mounting to gearbox extension ... ..	2	
	WL.0209	Lock washer ... ..	2	
	NH.2009	Nut ... ..	2	
	102331	Compensator bracket, clutch ... ..	1	Right hand steering
	BH.0923	Bolt, bracket to frame ... ..	1	



## TRIUMPH MAYFLOWER SPARE PARTS LIST

Ref. No.	Part No.	Description	No. Off	Remarks
<b>CHASSIS FRAME DETAILS</b>				
	300903	Service front end, chassis frame, as illustrated ...	1	
1	102601	Starting handle guide ... ..	1	
2	101306	Horn bracket, right hand ... ..	1	
3	101307	Horn bracket, left hand ... ..	1	
4	102989	Bump and rebound bracket assembly, right hand	1	
5	102990	Bump and rebound bracket assembly, left hand	1	
6	102466	Support bracket, steering box ... ..	2	Up to Comm. No. 18509 only Comm. No. TT1851 and future
	200648	Support bracket, steering box ... ..	2	
	101339	Support assembly, front bumper ... ..	2	





## TRIUMPH MAYFLOWER SPARE PARTS LIST

Ref. No.	Part No.	Description	No. Off	Remarks
<b>FRONT SUSPENSION DETAILS</b>				
	500473	Front suspension unit, right hand ... ..	1	Up to Comm. No. TT7436 only Comm. No. TT7437 to TT14828 only Comm. No. TT14829 and future Up to Comm. No. TT7436 only Comm. No. TT7437 to TT14828 only Comm. No. TT14829 and future
	500300	Front suspension unit, right hand ... ..	1	
	500794	Front suspension unit, right hand ... ..	1	
	500474	Front suspension unit, left hand ... ..	1	
	500301	Front suspension unit, left hand ... ..	1	
	500795	Front suspension unit, left hand ... ..	1	
1	102689	Cap for front hub ... ..	2	
	NL.2211	Slotted nut ... ..	2	
	PC.0020	Cotter pin ... ..	2	
	58392	Grease nipple ... ..	2	
2	102690	"D" washer ... ..	2	
3	100536	Bearing, outer ... ..	2	
4	V.5435	Set screw, drum to hub ... ..	4	
5	200191	Brake drum ... ..	2	
6	100869	Wheel stud on hub ... ..	8	
7	102696	Front hub assembly ... ..	2	
8	100573	Bearing, inner ... ..	2	
9	100868	Retainer, felt seal ... ..	2	
10	100867	Felt seal ... ..	2	
11	103242	Pin, top end rebound cable ... ..	2	} Fitted up to Comm. No. TT25000 only
	103243	Anti-rattle washer ... ..	2	
	WP.0020	Plain washer ... ..	2	
	PC.0020	Cotter pin ... ..	2	
12	103409	Rebound cable assembly ... ..	2	
13	100866	Stub axle ... ..	2	
14	300148	Vertical link ... ..	2	

## TRIUMPH MAYFLOWER SPARE PARTS LIST

Ref. No.	Part No.	Description	No. Off	Remarks
15	58224	Oil seal, trunnion and link ... ..	2	
16	102358	Eyebolt ... ..	2	} Fitted up to Comm. No. TT25000 only
	WP.0020	Washer ... ..	2	
	NL.2209	Slotted nut ... ..	2	
	PC.0009	Cotter pin ... ..	2	
17	102346	Link pin, rebound cable ... ..	2	
18	102381	Bump rubber and bolt assembly ... ..	2	
19	101591	Lock washer ... ..	4	
	NL.2210	Slotted nut ... ..	4	
	PC.0010	Cotter pin ... ..	4	
20	101540	Grease seal, outer shackle pin... ..	8	
21	101533	Thrust washer ... ..	8	
22	200456	Lower wishbone assembly ... ..	4	
	101615	Bush ... ..	4	
	56934	Grease nipple ... ..	4	
23	101229	Tab washer ... ..	4	
	WM.0071	Plain washer ... ..	4	
	NH.2010	Nut ... ..	4	
24	100684	Bracket ... ..	4	
25	102228	Rubber bush ... ..	8	
26	100686	Tab washer ... ..	8	
27	100689	Inner fulcrum assembly ... ..	4	
28	100688	Nut plate assembly ... ..	8	
29/30	101953	Fulcrum pin assembly ... ..	2	
	101949	Shock absorber bracket, front portion ... ..	2	
	101952	Lower fulcrum pin ... ..	2	
	101950	Shock absorber bracket, rear portion ... ..	2	

## TRIUMPH MAYFLOWER SPARE PARTS LIST

Ref. No.	Part No.	Description	No. Off	Remarks
	101229	Tab washer	2	
31	101951	Set screw	2	
	WL.0209	Lock washer	8	
	NH.2009	Nut	8	
32	200193	Lower spring pan assembly	2	
	101961	Retaining screw	8	
	100745	Distance piece, fitted on bolts	12	
	WP.0020	Plain washer	24	
	NL.2209	Nut	12	
	PC.0009	Cotter pin	12	
33	101181	Front road spring (coil)	2	
34	100751	Rubber washer, for coil spring	4	
	101095	Front shock absorber	2	Up to Comm. No. TT.1451 only Comm. No. TT1452 to TT25000 only Comm. No. TT25001 and future
35	103306	Front shock absorber	2	
→	106151	Front shock absorber	2	
36	200659	Top inner fulcrum pin...	2	
	UH.0908	Set screw, inner fulcrum pin attachment	4	
	BH.0913	Bolt, inner fulcrum pin attachment	4	
	WP.0009	Plain washer, fulcrum pin attachment	4	
	WL.0209	Lock washer, fulcrum pin attachment	8	
	NH.2009	Nut, fulcrum pin attachment	4	
37	100696	Top wishbone assembly, front L.H. and rear R.H.	2	
38	100695	Top wishbone assembly, front R.H. and rear L.H.	2	
39	61302	Slotted nut	2	
	PC.0012	Cotter pin	2	
40	100697	Distance piece, top wishbone	2	
	WP.0025	Washer	2	

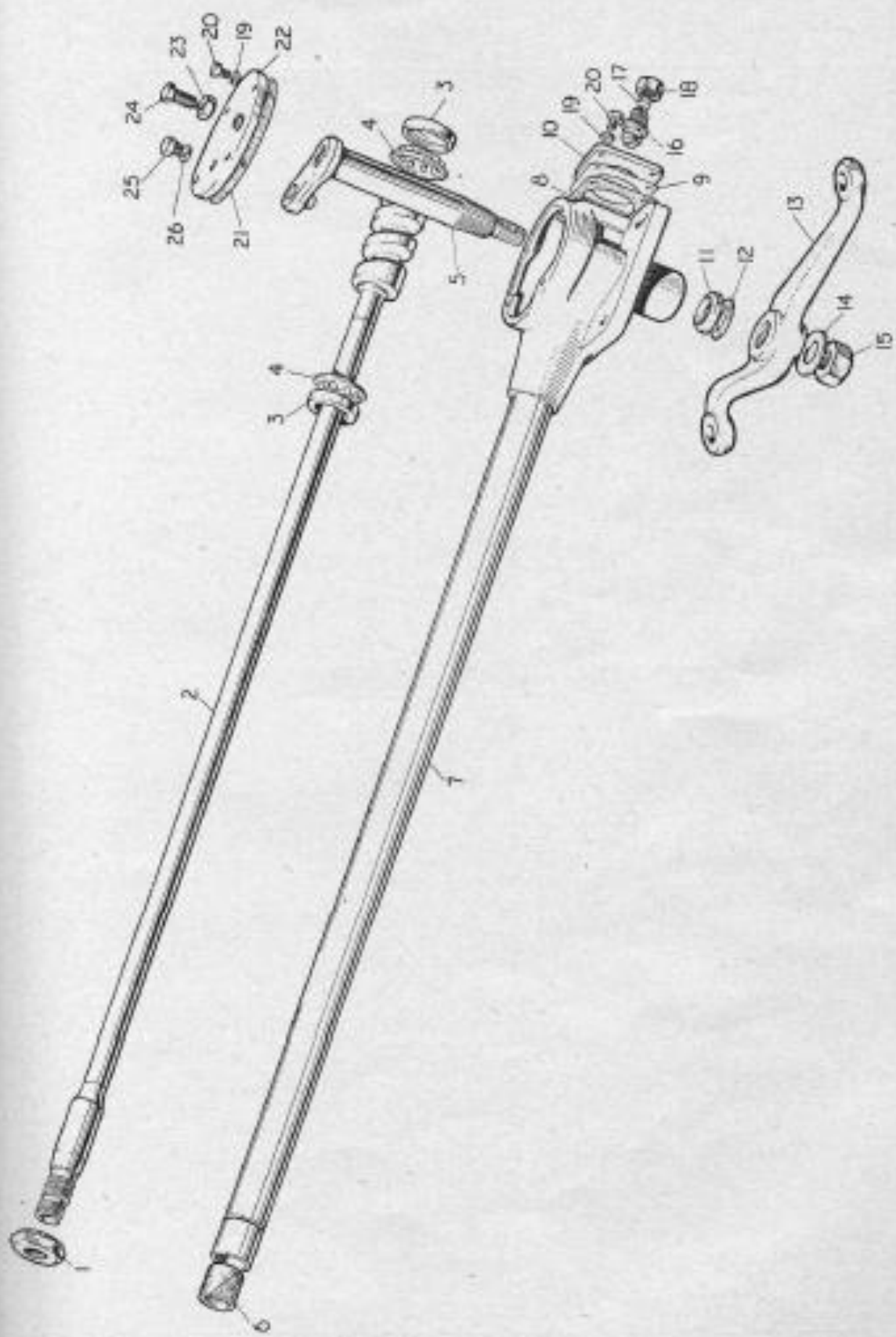
## TRIUMPH MAYFLOWER SPARE PARTS LIST

Ref. No.	Part No.	Description	No. Off	Remarks
41	200771	<b>Upper wishbone ball assembly</b> ... ..	2	
	100726	<b>Gaiter</b> ... ..	2	
	WP.0011	<b>Plain washer, ball pin to vertical link</b> ... ..	2	
	NL.2211	<b>Slotted nut, ball pin to vertical link</b> ... ..	2	
	PC.0020	<b>Cotter pin, ball pin to vertical link</b> ... ..	2	
42	200131	<b>Tie rod lever, right hand</b> ... ..	1	
	200132	<b>Tie rod lever, left hand</b> ... ..	1	
43	100548	<b>Tab washer</b> ... ..	2	
	BH.0913	<b>Set screw</b> ... ..	2	
	BH.0908	<b>Set screw</b> ... ..	2	
44	102692	<b>Track rod, outer</b> ... ..	2	
	WP.0009	<b>Plain washer</b> ... ..	4	
	NN.2909	<b>Simmonds nut</b> ... ..	4	
	BH.0905	<b>Bolt, inner fulcrum attachment</b> ... ..	16	
45	102201	<b>Idler bracket</b> ... ..	1	
47	103388	<b>Idler lever assembly</b> ... ..	1	
48	58615	<b>Oil seal</b> ... ..	1	
49	59223	<b>Plug</b> ... ..	1	
50	56935	<b>Grease nipple</b> ... ..	1	
51	100914	<b>Track rod, centre</b> ... ..	1	
	WP.0009	<b>Plain washer</b> ... ..	2	
	NN.2909	<b>Simmonds nut</b> ... ..	2	
52	101557	<b>Bottom trunnion sub-assembly, consisting of the following three items:—</b>		
	200438	<b>Trunnion</b> ... ..	2	
	101539	<b>Front shackle pin</b> ... ..	2	
	101379	<b>Cover plate</b> ... ..	2	



## TRIUMPH MAYFLOWER SPARE PARTS LIST

Ref. No.	Part No.	Description	No. Of	Remarks
53	56934	<b>Grease nipple</b> ... ..	2	
54	101407	<b>Stop lock</b> ... ..	2	
	BH.0806	<b>Set screw</b> ... ..	2	
	WL.0208	<b>Lock washer</b> ... ..	2	
55	102987	<b>Eye bush, shock absorber</b> ... ..	2	
56	500742	<b>Bush, shock absorber, top</b> ... ..	2	
57	500743	<b>Bush, shock absorber, top</b> ... ..	2	

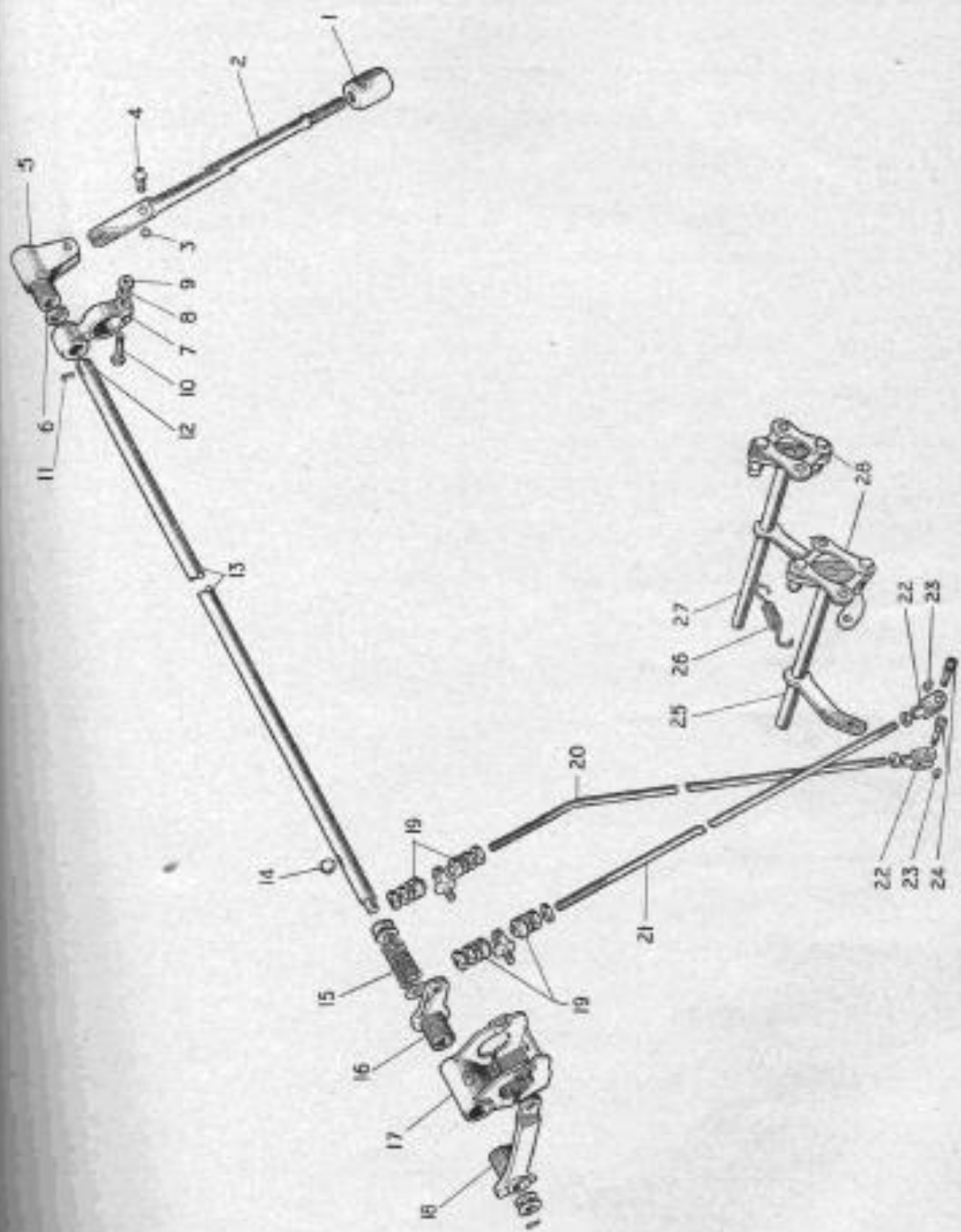


## TRIUMPH MAYFLOWER SPARE PARTS LIST

Ref. No.	Part No.	Description	No. Off	Remarks
<b>STEERING UNIT DETAILS</b>				
	300506	Steering unit assembly	1	
	300389	Steering wheel	1	
1	60372	Nut, steering wheel	1	
2	500272	Inner column and cam	1	
3	500289	Ball cup	1	
4	500275	Ball race assembly	1	
5	500277	Rocker shaft and ball peg	1	
6	43314	Felt bush	1	
7	500271	Outer tube and box	1	
8	500287	Joint	1	
9	500286	Shim, .0024"	As req.	
	500285	Shim, .005"	As req.	
	500284	Shim, .010"	As req.	
10	500282	End cover assembly	1	
11	500273	Cork washer	1	
12	500274	Retaining disc	1	
13	200649	Steering drop arm	1	
14	100821	Tab washer, for drop arm	1	
15	NH.2013	Nut, for drop arm	1	
16		Adaptor, part of 500282	1	
17	103612	Olive	1	
18	60366	Locknut	1	
	SP.54.V	Washer for oil plug	1	
19	WN.0707	Shakeproof washer	8	
20	BH.0704	Bolt	8	
21	500281	Side cover washer	1	

## TRIUMPH MAYFLOWER SPARE PARTS LIST

Ref. No.	Part No.	Description	No. Of	Remarks
22	500278	Side cover assembly ... ..	1	
23	60366	Nut, end cover ... ..	1	
24	500280	Oil plug ... ..	1	
25	500279	Thrust screw ... ..	1	
26	60360	Locknut ... ..	1	
	100821	Tab washer ... ..	1	





## TRIUMPH MAYFLOWER SPARE PARTS LIST

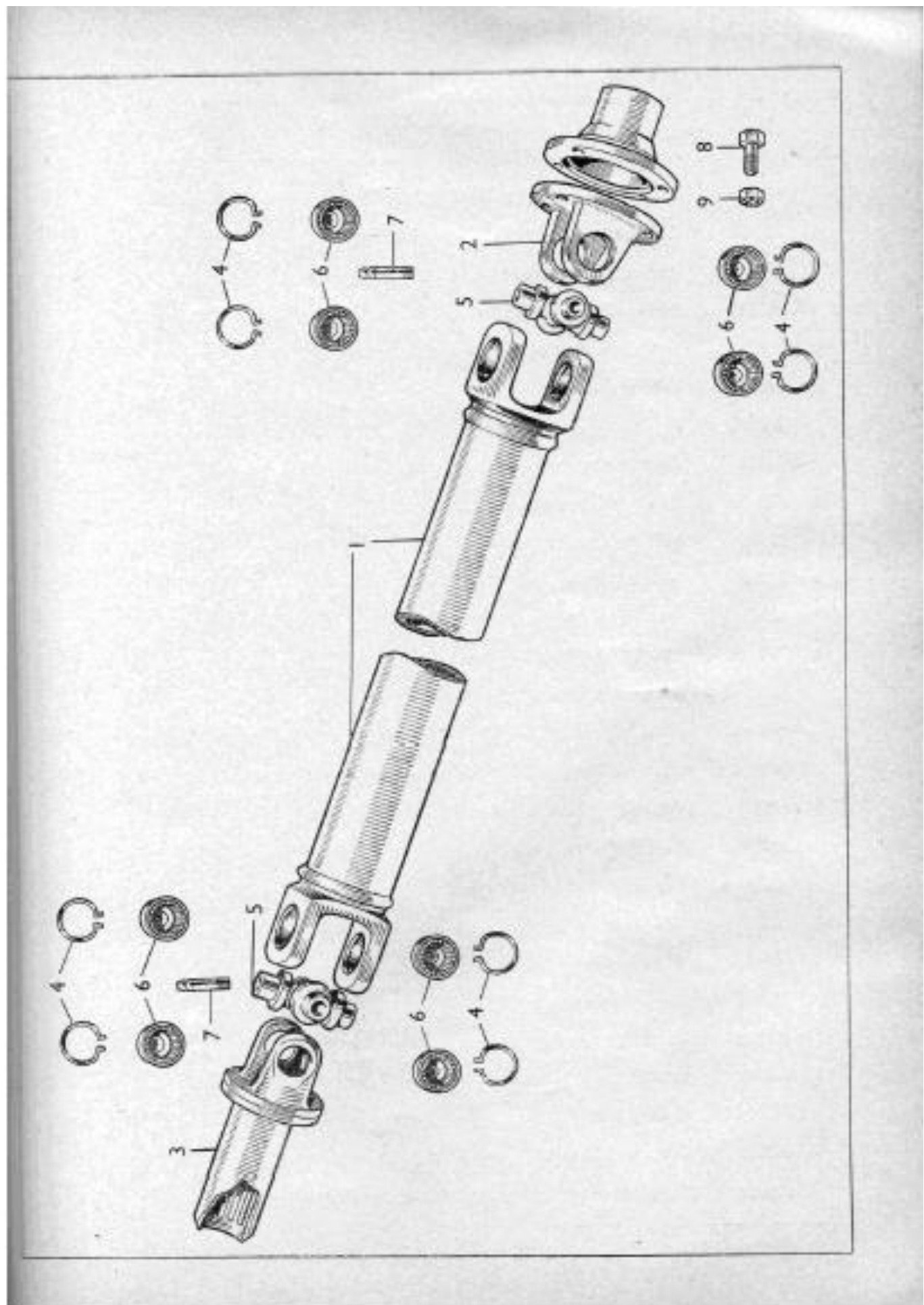
Ref. No.	Part No.	Description	No. Off	Remarks
<b>CHANGE SPEED DETAILS</b>				
	100799	Trunnion bracket	1	
	100542	Stud	2	
	104329	Tab washer, bracket to steering unit	2	
	NT.3209	Simmonds nut, attachment steering unit and idler bracket	2	
	BH.1038	Bolt, attachment steering unit and idler bracket	3	
	WP.0010	Plain washer, attachment steering unit and idler bracket	3	
	NN.2910	Simmonds nut, attachment steering unit and idler bracket	3	
	101990	Selector lever assembly	1	Up to Comm. No. TT8926 only
	103247	Selector lever assembly	1	
1	101380	Knob	1	
2	100290	Lever, only	1	Up to Comm. No. TT8926 only
	103205	Lever, only	1	
3	55324	Circlip, securing lever to cap	1	
5	100294	Fulcrum pin, securing lever to cap	1	
5	100301	Cap and inner sleeve assembly	1	Up to Comm. No. TT8926 only
	103202	Cap and inner sleeve assembly	1	
6	100300	Felt washer, fitted in top clamp	1	
	103252	Assembly gear shift mechanism	1	Right hand steering
	103253	Assembly gear shift mechanism	1	Left hand steering
7	101369	Top clamp, selector lever to steering column	1	
8	500057	Lockwasher	1	
9	500056	Nut	1	
10	500128	Bolt, selector lever to steering column	1	
11	100299	Anti-rattle spring, control shaft end	1	Up to Comm. No. TT8805 only

## TRIUMPH MAYFLOWER SPARE PARTS LIST

Ref. No.	Part No.	Description	No. Off	Remarks
12	100298	Pin	1	Up to Comm. No. TT8805 only
13	101969	Sub assembly, selector control shaft	1	Up to Comm. No. TT8805 only
	103210	Sub assembly, selector control shaft	1	Comm. No. TT8806 and future
14	100584	Roller, fitted in control shaft	2	
	WP.0020	Plain washer, control shaft assembly, bottom location	1	
	PC.0009	Cotter pin, control shaft assembly, bottom location	1	
	WF.0509	Fibre washer, control shaft assembly, bottom location	1	
15	58780	Spring, control shaft assembly, top location	1	
	WP.0029	Washer, control shaft assembly, top location	1	
	PC.0010	Cotter pin, control shaft assembly, top location	1	
	WF.0521	Fibre washer, control shaft assembly, top location	1	
	100593	Swivel pin	2	} Fitted up to Comm. No. TT26455 only
	WP.0008	Plain washer	2	
	NL.2208	Slotted nut	2	
	PC.0008	Cotter pin	2	} Fitted from Comm. No. TT26456 and future
	105909	Clevis joint assembly	2	
	PC.0009	Cotter pin	2	
	NL.2107	Nut	2	
	BH.0705	Bolt, attachment steering column	2	
	WL.0207	Lock washer, attachment steering column	2	
	NH.2007	Nut, attachment steering column	2	
16	100578	Sub assembly, second and third lever	1	
17	103041	Sub assembly, bush to clamp bracket	1	
18	100579	Sub assembly, first and reverse lever	1	
19	100594	Rubber bush	2	} Fitted up to Comm. No. TT only
	NH.2007	Nut	2	
20	100620	Operating rod, second and top	1	Up to Comm. No. TT26455 only

## TRIUMPH MAYFLOWER SPARE PARTS LIST

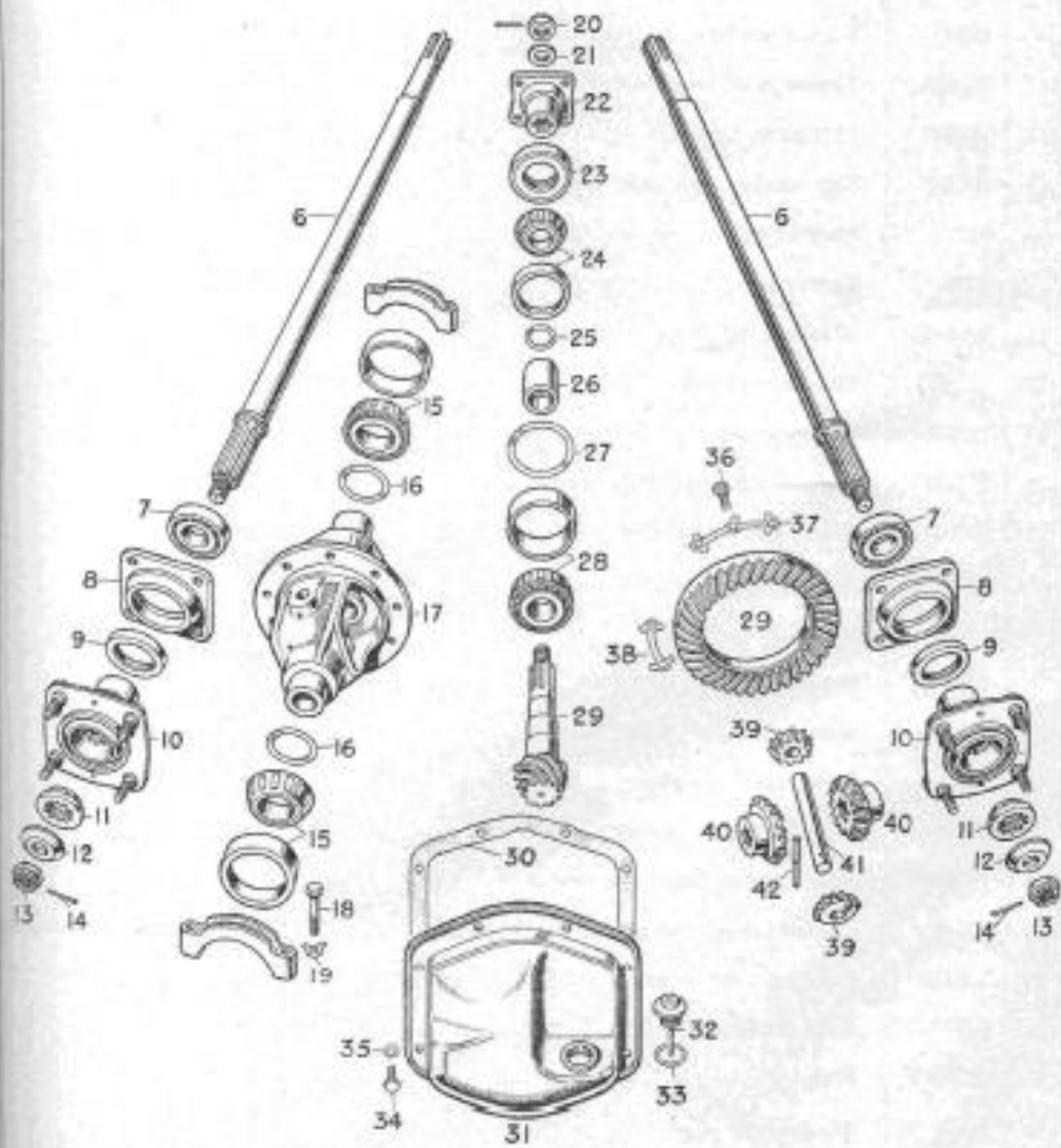
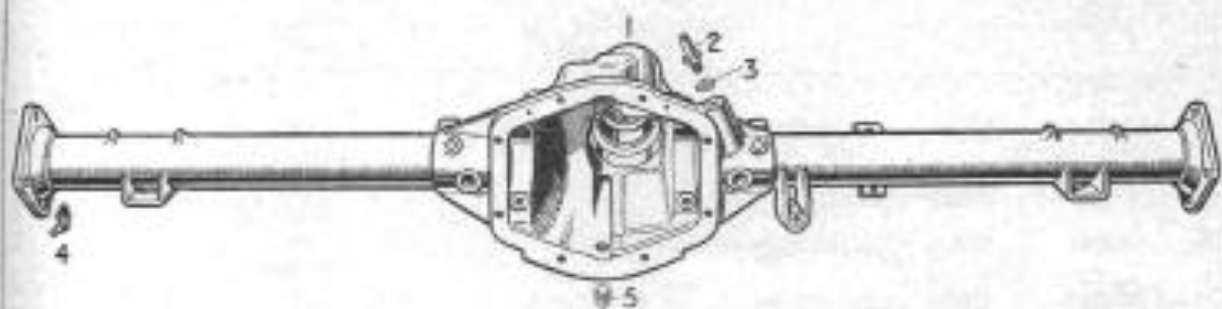
Ref. No.	Part No.	Description	No. Of	Remarks
	105552	Operating rod, second and top	1	Comm. No. TT26456 and future
21	100619	Operating rod, first and reverse	1	
	105551	Operating rod, first and reverse	1	Up to Comm. No. TT26455 only
	57190	Clevis joint assembly	1	Comm. No. TT26456 and future
	NJ.2107	Jam nut	2	
			2	} Up to Comm. No. TT26455 only
22	57191	Fork end	2	
23	57239	Spring for clevis joint	1	} Up to Comm. No. TT26455 only
24	57192	Pin	2	
25	101843	Cross shaft assembly, second and top	1	Right hand steering
	101923	Cross shaft assembly, second and top	1	Left hand steering
26	58996	Tension spring, fitted in cross shafts	1	
	BH.0809	Bolt, cross shaft to gearbox flange	4	
	NN.2908	Simmonds nut, cross shaft to gearbox flange	4	
27	101841	Cross shaft assembly, first and reverse	1	Right hand steering
	101431	Cross shaft assembly, first and reverse	1	Left hand steering
28	59320	Coupling assembly	2	
	WVP.0023	Plain washer	2	
	BH.0707	Bolt	2	
	NN.2907	Simmonds nut	2	



## TRIUMPH MAYFLOWER SPARE PARTS LIST

Ref. No.	Part No.	Description	No. OF	Remarks
<b>PROPELLOR SHAFT DETAILS</b>				
1	102061	<b>Propellor shaft</b> ... ..	1	
2	500263	<b>Flange yoke</b> ... ..	1	
3	500264	<b>Sleeve yoke</b> ... ..	1	
5	500265	<b>Journal assembly</b> ... ..	2	
4	500266	<b>Snap ring</b> ... ..	8	
	52405	<b>Unit package</b> ... ..	2	
		Consisting of :		
5		1 Journal assembly ... ..		
6		4 Bearing assembly		
4		4 Snap ring		
7		1 Lubricator		
8	100996	<b>Bolt, propellor shaft attachment</b> ... ..	4	
9	NN.2908	<b>Simmonds nut, propellor shaft attachment</b> ... ..	4	
	101326	<b>Guard for propellor shaft</b> ... ..	1	
	BH.0805	<b>Bolt, guard attachment</b> ... ..	4	
	WL.0208	<b>Lock washer, guard attachment</b> ... ..	4	
	NH.2008	<b>Nut, guard attachment</b> ... ..	4	





## TRIUMPH MAYFLOWER SPARE PARTS LIST

Ref. No.	Part No.	Description	No. Off	Remarks
<b>REAR AXLE DETAILS</b>				
	300150	<b>Rear axle assembly</b> ... ..	1	
	500817	<b>Rear axle, service unit (less shafts)</b> ... ..	1	Service replacement
1	300249	<b>Axle housing assembly</b> ... ..	1	
2	56894	<b>Breather, on pinion housing</b> ... ..	1	
3	56895	<b>Washer, for breather</b> ... ..	1	
	100520	<b>Peg</b> ... ..	8	
4	56939	<b>Grease nipple</b> ... ..	2	
5	57216	<b>Drain plug, rear axle</b> ... ..	1	
	101544	<b>Tab washer, rear axle</b> ... ..	2	
6	200196	<b>Axle shaft</b> ... ..	2	
7	500031	<b>Hub bearing</b> ... ..	2	
8	200194	<b>Bearing housing</b> ... ..	2	
	BH.0908	<b>Bolt, bearing housing to back plate</b> ... ..	8	
	NH.2009	<b>Nut, bearing housing to back plate</b> ... ..	8	
	WL.0209	<b>Lock washer, bearing housing to back plate...</b> ... ..	8	
9	103811	<b>Oil seal, axle shaft, hub end</b> ... ..	2	
	200191	<b>Brake drum</b> ... ..	2	
	V.5435	<b>Set screw, brake attachment</b> ... ..	4	
10	100901	<b>Rear hub assembly</b> ... ..	2	
	100869	<b>Wheel stud</b> ... ..	8	
11	101882	<b>Taper collar</b> ... ..	2	
12	101883	<b>Washer, axle shaft</b> ... ..	2	
13	100892	<b>Slotted nut</b> ... ..	2	
14	PC.0045	<b>Cotter pin</b> ... ..	2	
	100870	<b>Road wheel nuts</b> ... ..	8	
15	100899	<b>Taper roller bearings, differential case bearing</b> ... ..	2	

## TRIUMPH MAYFLOWER SPARE PARTS LIST

Ref. No.	Part No.	Description	No. Off	Remarks
16	100894	Shim, .003", differential bearing	As req.	
	100895	Shim, .005", differential bearing	As req.	
	100896	Shim, .010", differential bearing	As req.	
17	300569	Differential casing	1	
	102801	Thrust washer, differential gear	2	
	102802	Thrust washer, differential gear	2	
18	100878	Setscrew, rear axle	4	
19	101360	Tab washer, rear axle	2	
20	100892	Slotted nut	1	
	PC.0045	Cotter pin	1	
21	101607	Washer, for flange	1	
22	100337	Flange, on pinion	1	
23	100898	Oil seal, in pinion housing	1	
24	100422	Taper roller bearings, front	1	
25	100562	Shim, .003", on pinion	As req.	
	100563	Shim, .005", on pinion	As req.	
	100564	Shim, .010", on shim	As req.	
26	100846	Bearing spacer, on pinion	1	
27	100965	Shim, .003", on pinion	As req.	
	100966	Shim, .005", on pinion	As req.	
	100967	Shim, .010", on pinion	As req.	
28	100897	Taper roller bearings, rear of pinion	1	
29	500465	Crown wheel and pinion	1 pr	Serviced as assembly only
30	101359	Packing, rear cover	1	
31	200370	Rear cover assembly	1	
32	62058	Plug	1	
33	56912	Washer for plug	1	

## TRIUMPH MAYFLOWER SPARE PARTS LIST

Ref. No.	Part No.	Description	No. Off	Remarks
34	BH.0805	Bolt, rear cover attachment ... ..	8	
35	WL.0206	Lock washer, rear cover attachment ... ..	8	
36	100339	Bolt, crown wheel ... ..	10	
37	100880	Tab washer ... ..	2	
38	100881	Tab washer ... ..	2	
39	100823	Differential pinion ... ..	2	
40	102800	Differential gear ... ..	2	
41	100844	Cross pin, for pinion ... ..	1	
42	100845	Locating pin, for cross pin ... ..	1	

**TRIUMPH MAYFLOWER SPARE PARTS LIST**

Ref. No.	Part No.	Description	No. Off	Remarks
<b>REAR ROAD SPRING AND SHACKLE DETAILS</b>				
	300351	Rear road spring ... ..	2	Up to Comm. No. TT450 only
	300409	Rear road spring ... ..	2	Comm. No. TT451 to TT927 only
	300548	Rear road spring ... ..	2	Comm. No. TT928 to TT3070 only
→	300549	Rear road spring ... ..	2	Comm. No. TT3071 and future
	47259	Rubber bush, front end ... ..	2	
	102412	Packing for rear side road spring ... ..	1	Right hand steering only
	101055	Pin, front end rear spring ... ..	2	
	WL.0210	Lock washer for pin ... ..	2	
	NH.2010	Nut for pin ... ..	2	
	100707	Rear spring clip ... ..	4	Up to Comm. No. TT450 only
	102548	Rear spring clip ... ..	4	Comm. No. TT451 and future
	WP.0009	Plain washer, clip attachment ... ..	8	
	NN.2909	Simmonds nut, clip attachment ... ..	6	
	101276	Rear shackle assembly ... ..	2	
	101280	Bearing for shackle ... ..	8	
	NH.2009	Nut ... ..	4	
	WN.0709	Shakeproof washer ... ..	4	
	102547	Rear spring plate, right hand ... ..	1	
	102579	Rear spring plate, left hand ... ..	1	
	103307	Rear shock absorber ... ..	2	Up to Comm. No. TT only
→	106152	Rear shock absorber ... ..	2	Comm. No. TT and future
	103005	Washer, top and bottom attachment ... ..	4	
	NN.2910	Simmonds nut, top and bottom attachment ... ..	4	
	501135	Centre bolt, rear spring ... ..	2	



## TRIUMPH MAYFLOWER SPARE PARTS LIST

Ref. No.	Part No.	Description	No. Off	Remarks
<b>BRAKE DETAILS</b>				
	200226	Front brake assembly, right hand ... ..	1	Comm. No. TT1 to TT1450 only
	200756	Front brake assembly, right hand ... ..	1	Comms. No. TT1451 to TT7436 only
	200918	Front brake assembly, right hand ... ..	1	Comm. No. TT7437 to TT14828 only
	300762	Front brake assembly, right hand ... ..	1	Comm. No. TT14829 to TT21093 only
	300994	Front brake assembly, right hand ... ..	1	Comm. No. TT21094 and future
	200227	Back plate, right hand ... ..	1	Comm. No. TT1 to TT14829 only
	201096	Back plate, right hand ... ..	1	Comm. No. TT14830 and future
	101824	Brake shoe assembly ... ..	1 pr	Comm. No. TT1 to TT14829 only
	103841	Brake shoe assembly ... ..	1 pr	Comm. No. TT14830 to TT21094 only
	105378	Brake shoe assembly ... ..	1 pr	Comm. No. TT21095 and future
	59240	Micram adjuster assembly ... ..	2	
	59241	Mask ... ..	2	
	101825	Pull-off spring ... ..	2	
	SP.22.D	Nut, wheel cylinder to back plate ... ..	4	} Comm. No. TT1 to TT14829 only
	WQ.0308	Spring washer ... ..	4	
	UH.0805	Fixing bolt, wheel cylinder to back plate ... ..	2	} Comm. No. TT14830 and future
	WQ.0308	Spring washer, wheel cylinder to back plate ... ..	2	
	UH.0703	Fixing screw, wheel cylinder to back plate ... ..	2	
	WN.0707	Shakeproof washer, wheel cylinder to back plate ... ..	2	
	59283	Banjo connection ... ..	3	Comm. No. TT1 to TT14829 only
	59291	Banjo bolt ... ..	4	Comm. No. TT1 to TT14829 only
	59245	Gasket, small, on cylinder front top ... ..	2	Comm. No. TT1 to TT14829 only
	59246	Gasket, large, on cylinder front top ... ..	2	Comm. No. TT1 to TT14829 only
	59248	Bleeder Screw, bottom banjo ... ..	1	Comm. No. TT1 to TT14829 only
	102001	Bleeder screw, bottom banjo ... ..	1	Comm. No. TT14830 and future
	200228	Front brake assembly, left hand ... ..	1	Comm. No. TT1 to TT1450 only

*It is always essential to quote the commission number — with prefix or suffix letters (if any) — imprinted on the plate fixed to scuttle under bonnet.*

## TRIUMPH MAYFLOWER SPARE PARTS LIST

Ref. No.	Part No.	Description	No. Off	Remarks
	200757	Front brake assembly, left hand ... ..	1	Comm. No. TT1451 to TT7436 only
	200919	Front brake assembly, left hand ... ..	1	Comm. No. TT7437 to TT14829 only
	300763	Front brake assembly, left hand ... ..	1	Comm. No. TT14830 to TT21094 only
	300995	Front brake assembly, left hand ... ..	1	Comm. No. TT21095 and future
	200229	Back plate, left hand ... ..	1	Comm. No. TT1 to TT14829 only
	201097	Back plate, left hand ... ..	1	Comm. No. TT14830 and future
	101824	Brake shoe assembly ... ..	1 pr	Comm. No. TT1 to TT14829 only
	103841	Brake shoe assembly ... ..	1 pr	Comm. No. TT14830 to TT21094 only
	105378	Brake shoe assembly ... ..	1 pr	Comm. No. TT21095 and future
	59420	Micram adjuster assembly ... ..	2	
	59421	Mask ... ..	2	
	101825	Pull-off spring ... ..	2	
	SP.22.D	Nut, wheel cylinder to back plate ... ..	4	} Comm. No. TT1 to TT14829 only
	WQ.0308	Spring washer ... ..	4	
	UH.0805	Fixing bolt, wheel cylinder to back plate ... ..	2	} Comm. No. TT14830 and future
	WQ.0308	Spring washer, wheel cylinder to back plate ... ..	2	
	UH.0703	Fixing screw, wheel cylinder to back plate ... ..	2	
	WN.0707	Shakeproof washer, wheel cylinder to back plate ... ..	2	
	59283	Banjo connection ... ..	3	Comm. No. TT1 to TT14829 only
	59291	Banjo bolt ... ..	4	Comm. No. TT1 to TT14829 only
	59245	Gasket, small, on cylinder front top ... ..	2	Comm. No. TT1 to TT14829 only
	59246	Gasket, large, on cylinder front top ... ..	2	Comm. No. TT1 to TT14829 only
	59248	Bleeder screw, bottom banjo ... ..	1	Comm. No. TT1 to TT14829 only
	102001	Bleeder screw, bottom banjo ... ..	1	Comm. No. TT14830 and future
	103278	Front wheel cylinder, left and right hand ... ..	4	Comm. No. TT1 to TT14829 only
	201098	Front wheel cylinder, right hand ... ..	2	Comm. No. TT14830 and future
	201099	Front wheel cylinder, left hand ... ..	2	Comm. No. TT14830 and future

## TRIUMPH MAYFLOWER SPARE PARTS LIST

Ref. No.	Part No.	Description	No. Off	Remarks
	59251	Cylinder body ... ..	4	Comm. No. TT1 to TT14829 only
	103842	Cylinder body, right hand ... ..	2	Comm. No. TT14830 and future
	103843	Cylinder body, left hand ... ..	2	Comm. No. TT14830 and future
	59252	Piston assembly ... ..	4	Comm. No. TT1 to TT14829 only
	103844	Piston assembly ... ..	4	Comm. No. TT14830 and future
	59253	Cylinder cup ... ..	4	Comm. No. TT1 to TT14829 only
	103845	Cylinder cup ... ..	4	Comm. No. TT14830 and future
	102735	Cup filler ... ..	4	Comm. No. TT1 to TT14829 only
	103846	Cup filler ... ..	4	Comm. No. TT14830 and future
	102736	Spring ... ..	4	
	103847	Rubber seal ... ..	4	Comm. No. TT14830 and future
	200920	Rear brake assembly, right hand ... ..	1	Comm. No. TT1 to TT14829 only
	300764	Rear brake assembly, right hand ... ..	1	Comm. No. TT14830 to TT20915 only
	300996	Rear brake assembly, right hand ... ..	1	Comm. No. TT20916 and future
	200231	Back plate ... ..	1	
	101824	Brake shoe assembly ... ..	1 pr	Comm. No. TT1 to TT14829 only
	103841	Brake shoe assembly ... ..	1 pr	Comm. No. TT14830 to TT20915 only
	105378	Brake shoe assembly ... ..	1 pr	Comm. No. TT20916 and future
	59240	Micram adjuster assembly ... ..	1	
	59241	Mask ... ..	1	
	59255	Cylinder boot ... ..	1	
	59256	Abutment assembly ... ..	1	
	101825	Pull-off spring ... ..	1	
	101826	Tension spring ... ..	1	
	SP.22D	Nut, abutment to back plate ... ..	2	
	WQ.0308	Spring washer ... ..	2	
	59283	Banjo connection ... ..	1	

*It is always essential to quote the commission number — with prefix or suffix letters (if any) — imprinted on the plate fixed to scuttle under bonnet.*

## TRIUMPH MAYFLOWER SPARE PARTS LIST

Ref. No.	Part No.	Description	No. Off	Remarks
	59248	Bleeder screw ... ..	1	
	59291	Banjo bolt ... ..	1	
	59245	Gasket, small ... ..	1	
	59246	Gasket, large ... ..	1	
	105271	Dust plug ... ..	3	
	200921	Rear brake assembly, left hand ... ..	1	Comm. No. TT1 to TT14829 only
	300765	Rear brake assembly, left hand ... ..	1	Comm. No. TT14830 to TT20915 only
	300997	Rear brake assembly, left hand ... ..	1	Comm. No. TT20916 and future
	200233	Back plate ... ..	1	
	101824	Brake shoe assembly ... ..	1 pr	Comm. No. TT1 to TT14829 only
	103841	Brake shoe assembly ... ..	1 pr	Comm. No. TT14830 to TT20915 only
	105378	Brake shoe assembly ... ..	1 pr	Comm. No. TT20916 and future
	59240	Micram adjuster assembly ... ..	1	
	59241	Mask ... ..	1	
	59255	Cylinder boot ... ..	1	
	59256	Abutment assembly ... ..	1	
	101825	Pull-off spring ... ..	1	
	101826	Tension spring ... ..	1	
	SP22D	Nut, abutment to back plate ... ..	2	
	WQ.0308	Spring washer ... ..	2	
	59283	Banjo connection ... ..	1	
	59248	Bleeder screw ... ..	1	
	59291	Banjo bolt ... ..	1	
	59245	Gasket, small ... ..	1	
	59246	Gasket, large ... ..	1	
	200914	Rear wheel cylinder, left and right hand ... ..	2	
	59260	Cylinder body ... ..	2	



## TRIUMPH MAYFLOWER SPARE PARTS LIST

Ref. No.	Part No.	Description	No. Of	Remarks
	59253	Cup	2	
	59261	Piston, hydraulic	2	
	59262	Piston assembly, handbrake	2	
	59263	Pivot Pin	2	
	59264	Handbrake lever	2	
	102735	Cup filler	2	
	102736	Spring	2	
	500901	Service kit, wheel cylinder		
	300868	Master cylinder assembly	req. 1	
	60220	Cylinder and tank body sub assembly	1	
	59266	Cylinder tank and body	1	
	59267	Valve body	1	
	59268	Washer	1	
	59269	Cup	1	
	59270	Return spring for piston	1	
	59271	Retainer for spring	1	
	59273	Master cylinder piston	1	
	59274	Secondary cup	1	
	59275	Retaining washer	1	
	59276	Circlip for washer	1	
	59277	Boot for master cylinder	1	
	59278	Filler cap assembly	1	
	59279	Gasket for filler cap	1	
	59280	Plug for cylinder	1	
	60221	Gasket for plug	1	
	59282	Push rod	1	
	103020	Washer for piston	1	

*It is always essential to quote the commission number — with prefix or suffix letters (if any) — as printed on the plate fixed to scuttle under bonnet.*



## TRIUMPH MAYFLOWER SPARE PARTS LIST

Ref. No.	Part No.	Description	No. Off	Remarks
	102008	<b>Adaptor</b> ... ..	1	
	59245	<b>Gasket</b> ... ..	2	
	500900	<b>Service kit, master cylinder</b> ... ..	As req.	
<b>HYDRAULIC PIPES</b>				
	200638	<b>Pipe, master cylinder to front banjo</b> ... ..	1	Right hand steering
	200514	<b>Pipe, master cylinder to front banjo</b> ... ..	1	Left hand steering
	200515	<b>Pipe, right hand to left hand front banjo</b> ... ..	1	Up to Comm. No. TT14829 only
	200639	<b>Pipe, right hand to left hand front banjo</b> ... ..	1	Comm. No. TT14830 and future
	59190	<b>Clip, pipe to frame</b> ... ..	1	
	300360	<b>Pipe, right hand, front to rear bracket</b> ... ..	1	
	59190	<b>Clip, pipe to frame</b> ... ..	4	
	101827	<b>Pipe, top to bottom cylinders</b> ... ..	1	Up to Comm. No. TT14829 only
	103839	<b>Pipe, top to bottom cylinder, right hand</b> ... ..	1	} Comm. No. TT14830 and future
	104227	<b>Pipe, top to bottom cylinder, left hand</b> ... ..	1	
	201129	<b>Pipe, three way to right hand rear</b> ... ..	1	
	201130	<b>Pipe, three way to left hand rear</b> ... ..	1	
	101837	<b>Clip, pipe to pinion housing</b> ... ..	2	
	TR.6553	<b>Screw, pipe to pinion housing</b> ... ..	2	
	41674	<b>Clip, pipe to axle tubes</b> ... ..	3	
	59550	<b>Flex hose, frame to three way on axle</b> ... ..	3	Up to Comm. No. TT14829 only
	103840	<b>Flex hose, frame to front wheel cylinders</b> ... ..	2	} Comm. No. TT14830 and future
	59550	<b>Flex hose, frame to rear axle</b> ... ..	1	
	59245	<b>Gasket, fitted on flex hoses</b> ... ..	3	
	59364	<b>Locknut, hose to frame brackets</b> ... ..	3	
	WE0613	<b>Shakeproof washer, hose to frame brackets</b> ... ..	3	
	59247	<b>Banjo connection</b> ... ..	1	

## TRIUMPH MAYFLOWER SPARE PARTS LIST

Ref. No.	Part No.	Description	No. Off	Remarks
	59291	<b>Bolt</b> ... ..	1	
	59245	<b>Gasket</b> ... ..	1	
	59246	<b>Gasket</b> ... ..	1	
	59283	<b>Banjo connection, single</b> ... ..	1	
	59293	<b>Bolt, side to frame</b> ... ..	1	
	59245	<b>Gasket, small, banjo to frame</b> ... ..	1	
	59246	<b>Gasket, large, banjo to frame</b> ... ..	1	
	56865	<b>Stop light switch, in banjo</b> ... ..	1	
	59295	<b>Three way piece, rear axle</b> ... ..	1	
	BH.0709	<b>Bolt, three way piece to rear axle</b> ... ..	1	
	NH.2007	<b>Nut, three way piece to rear axle</b> ... ..	1	
	WL.0207	<b>Spring washer, three way piece to rear axle</b> ... ..	1	
	58398	<b>Brake fluid, orange, quart tins...</b> ... ..	As req.	
<b>DASH HANDBRAKE DETAILS</b>				
	102218	<b>Dash hand brake assembly</b> ... ..	1	
	600586	<b>Handbrake mounting bracket, front</b> ... ..	1	Right hand steering
	600585	<b>Handbrake mounting bracket, front</b> ... ..	1	Left hand steering
	600785	<b>Handbrake mounting bracket, rear</b> ... ..	1	Right hand steering
	600784	<b>Handbrake mounting bracket, rear</b> ... ..	1	Left hand steering
	FU.2545	<b>Nut, mounting bracket fixing</b> ... ..	4	
	YI.2543	<b>Screw, mounting bracket fixing</b> ... ..	4	
	101879	<b>Distance piece, rear mounting bracket</b> ... ..	1	
	BH.0810	<b>Bolt</b> ... ..	1	
	WL.0208	<b>Lock washer</b> ... ..	1	
	NH.2008	<b>Nut</b> ... ..	1	
	101283	<b>Handbrake relay lever</b> ... ..	1	

*It is always essential to quote the combination number — with prefix or suffix letters (if any) — imprinted on the plate fixed to scuttle under bonnet.*

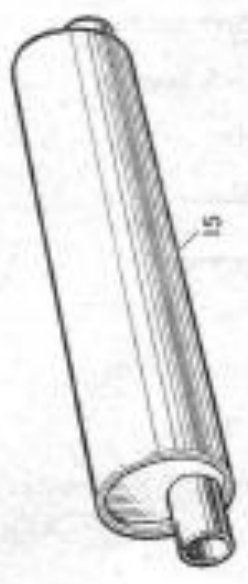
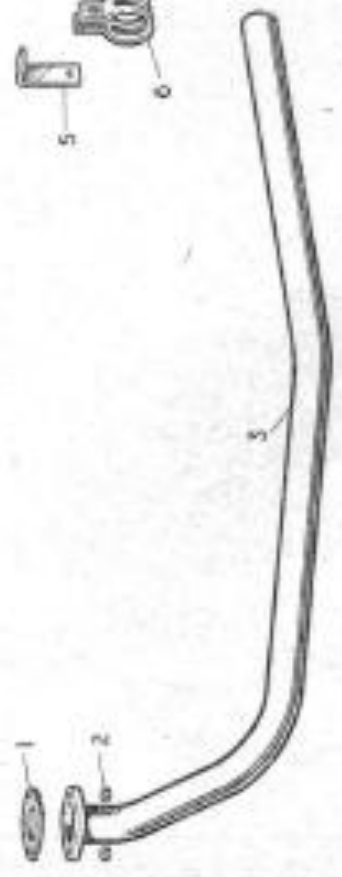
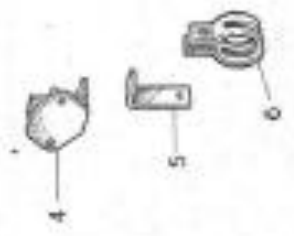
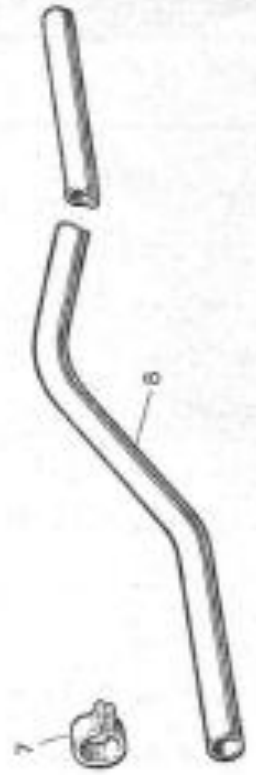
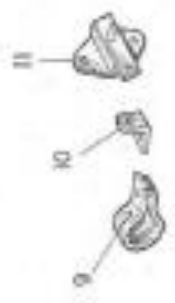
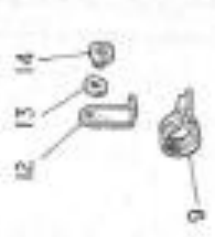
## TRIUMPH MAYFLOWER SPARE PARTS LIST

Ref. No.	Part No.	Description	No. Off	Remarks
	WD.0161	Spring washer, lever to bracket	1	
	101284	Thrust sleeve, lever to bracket	1	
	43929	Pull-off spring, lever to link	1	
	105147	Link, pull-off spring, spring to floor	1	
	101247	Fork end, rear cable	1	
	NJ.2108	Jam nut, front end rear cable	1	
	40594	Pin for jaw, fork end to lever	1	
—	101249	Control cable assembly	1	Right hand steering
	200422	Control cable assembly	1	Left hand steering
	61917	Grommet, control cable	1	
	48269	Outer sleeve, handbrake	1	
	48303	Inner sleeve and handle assembly	1	
	48309	Operating wedge	1	
	48310	Spring, operating wedge	1	
	48306	Nut, push rod to wedge	1	
	48307	Push rod	1	
	45355	Spring, push rod, fitted at handle end	1	
	48995	Washer, push rod, fitted at handle end	1	
	102282	Cable abutment...	1	
	48308	Pawl	1	
	45358	Spring, pawl, fitted on rivet	1	
	102219	Trigger	1	
	45353	Trigger pivot	1	
	47511	Spring, inner sleeve	1	
	SP.1.G	Bolt, conduit adjustment	1	
	SP.22.C	Nut, conduit adjustment	1	
	WL.0207	Lock washer, conduit adjustment	1	

## TRIUMPH MAYFLOWER SPARE PARTS LIST

Ref. No.	Part No.	Description	No. Off	Remarks
	200324	<b>Handbrake cable, rear...</b>	1	
	BH.0712	<b>Bolt, cable to rear abutment bracket ...</b>	2	
	WP.0007	<b>Washer, cable to rear abutment bracket ...</b>	2	
	NH.2007	<b>Nut, cable to rear abutment bracket ...</b>	2	
	PJ.8708	<b>Pin for jaw, cable to compensator ...</b>	1	
	100571	<b>Compensator and boss ...</b>	1	
	100569	<b>Compensator bar ...</b>	1	
	500248	<b>Washer ...</b>	2	
	500098	<b>Grease nipple ...</b>	1	
	100572	<b>Felt seal ...</b>	2	
	101248	<b>Swivel pin ...</b>	1	

*If it always essential to quote the connection number — with prefix or suffix letters (if any) — imprinted on the plate fixed to scuffie under bonnet.*



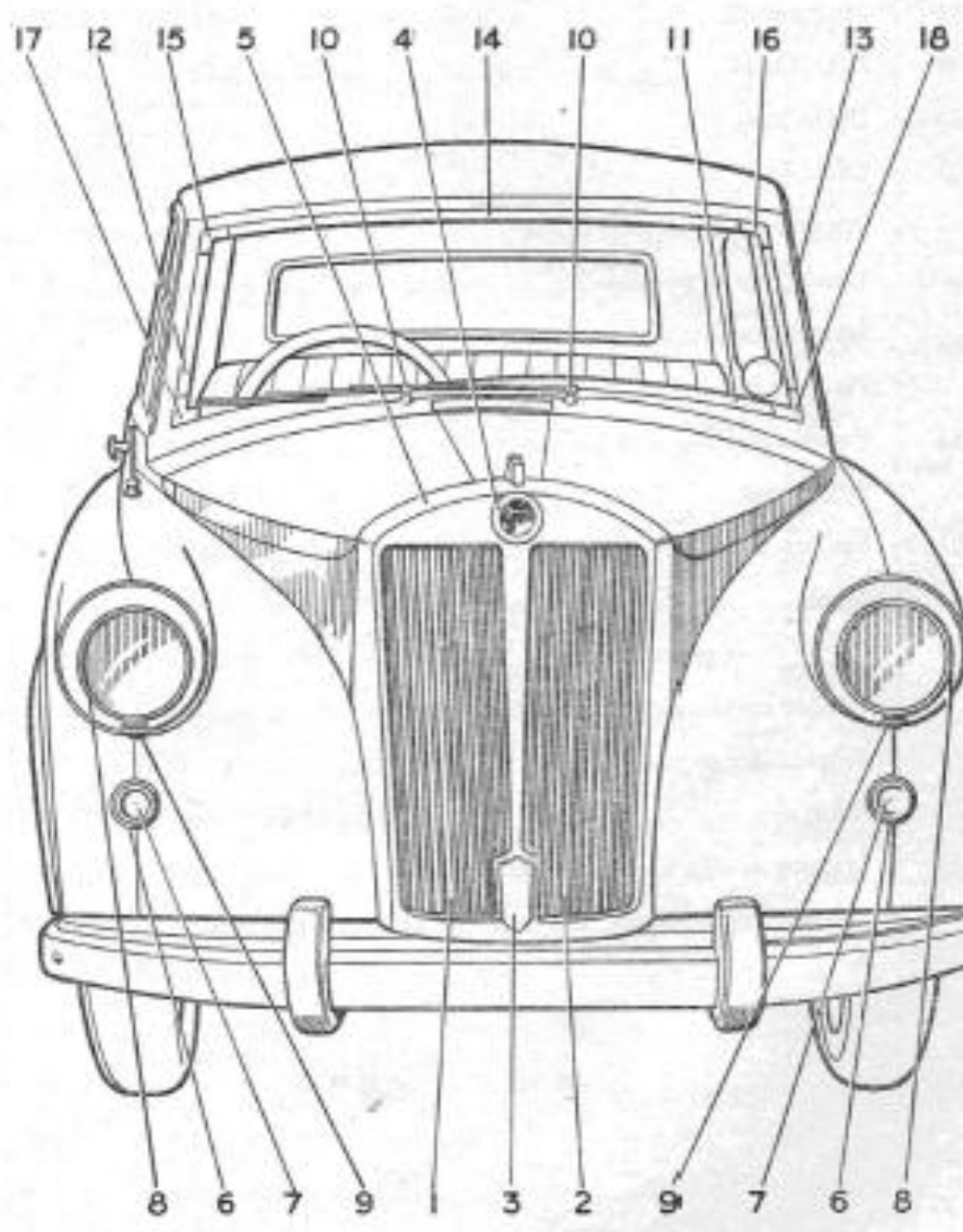


**TRIUMPH MAYFLOWER SPARE PARTS LIST**

Ref. No.	Part No.	Description	No. Off	Remarks
		<b>EXHAUST PIPE AND SILENCER DETAILS</b>		
X 1	32301	Washer, to manifold ... ..	1	101
2	100455	Nut, to manifold ... ..	2	
	WL.0208	Lock washer, to manifold ... ..	2	
X 3	300505	Front exhaust pipe assembly ... ..	1	101-
X 4	45484	Flexible support, front to frame ... ..	1	2/5
X	BH.0805	Bolt, mounting to frame ... ..	2	
	WL.0208	Lock washer, mounting to frame ... ..	2	
X	NH.2008	Nut, Mounting to frame ... ..	2	
X 5	101178	Silencer support, front ... ..	1	
X	BH.0805	Bolt, silencer support ... ..	1	
	WL.0208	Lock washer, silencer support ... ..	1	
X	NH.2008	Nut, silencer support ... ..	1	
6	100993	Silencer Clip, front ... ..	1	
	BH.0808	Bolt ... ..	1	
	WL.0208	Lock washer ... ..	1	
	NH.2008	Nut ... ..	1	
7	37111	Silencer Clip, rear ... ..	1	
	BH.0807	Bolt ... ..	1	
	WL.0208	Lock washer ... ..	1	
	NH.2008	Nut ... ..	1	
8	300162	Tail exhaust pipe, silencer to air ... ..	1	
9	100991	Clip, tail pipe, front and rear ... ..	2	
	BH.0805	Bolt, mounting to bracket ... ..	1	
	BH.0807	Bolt, clip to bracket ... ..	1	
	WL.0208	Lock washer ... ..	2	
	NH.2008	Nut ... ..	2	

## TRIUMPH MAYFLOWER SPARE PARTS LIST

Ref. No.	Part No.	Description	No. Off	Remarks
10	101164	Tail pipe mounting bracket	1	
11	45078	Flexible mounting, centre	1	
	BH.0806.P	Bolt, mounting centre	1	
	WL.0208	Lock washer, mounting centre	1	
12	101955	Tail pipe rear mounting bracket	1	
13	42243	Grommet	1	
14	42244	Grommet, washer	1	
	BH.0807	Bolt, tail pipe clip	1	
	BH.0808	Bolt, clip to grommet	1	
	WP.0017	Plain washer	1	
	WL.0208	Lock washer	2	
	NH.2008	Nut	2	



## TRIUMPH MAYFLOWER SPARE PARTS LIST

Ref. No.	Part No.	Description	No. Off	Remarks
		<b>RADIATOR AND RADIATOR GRILLE DETAILS</b>		
	300187	Radiator block ... ..	1	
	422222	Filler cap ... ..	1	
	40090	Washer for cap ... ..	1	
	101416	Drain tap, radiator ... ..	1	
	BH.0804	Set screw, radiator to carrier ... ..	6	
	WL.0208	Lock washer, radiator to carrier ... ..	6	
	101466	Radiator hose, top ... ..	1	
	200280	Radiator hose, bottom ... ..	1	
	CS.4028	Hose clip ... ..	4	
	900102	Radiator shell and grille assembly ... ..	1	
5	800074	Radiator shell ... ..	1	
2	800149	Radiator grille, left hand ... ..	1	
1	800188	Radiator grille, right hand ... ..	1	
3	700174	Starting handle door ... ..	1	
	YJ.2645	Screw, shell to wing valance ... ..	2	
	BH.0705/P	Bolt, shell to wing valance ... ..	6	
	CD.13462	Plain washer, shell to wing valance ... ..	6	
	600246	Angle bracket, radiator support ... ..	2	
	UH.0505	Set screw, radiator support ... ..	2	
	WP.0005	Plain washer, radiator support ... ..	2	
4	101042	Radiator medallion ... ..	1	
	CD.23953	Rubber washer ... ..	1	
	NH.2005	Nut ... ..	1	
	WP.0005	Plain washer ... ..	1	

## TRIUMPH MAYFLOWER SPARE PARTS LIST

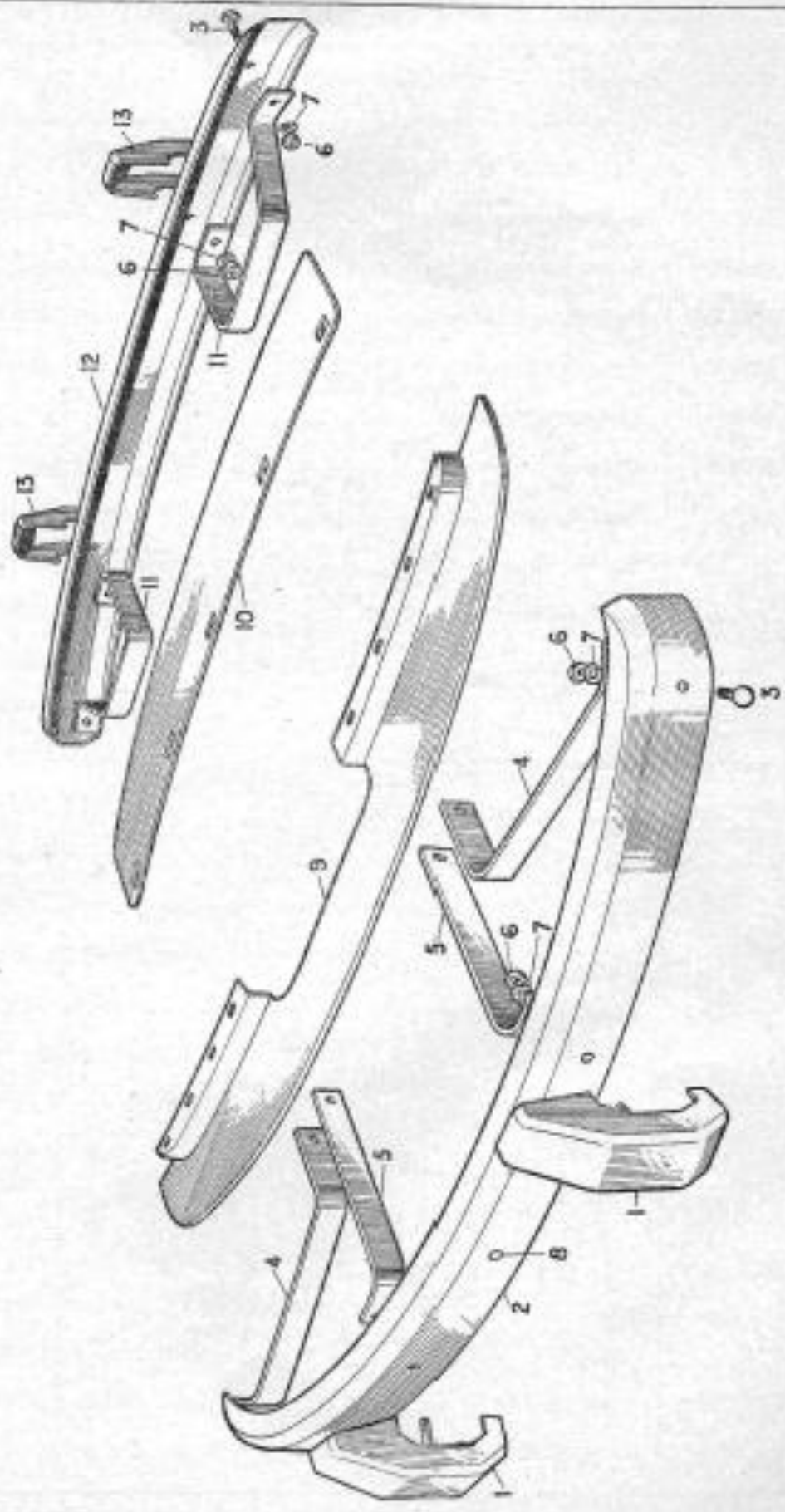
Ref. No.	Part No.	Description	No. Off	Remarks
<b>PETROL TANK DETAILS</b>				
	800036	Petrol tank ... ..	1	Up to Comm. No. TT8958 only
	300641	Petrol tank ... ..	1	Comm. No. TT8959 and future
	600402	Drain plug ... ..	1	Up to Comm. No. TT8958 only
	103222	Drain plug ... ..	1	Comm. No. TT8959 and future
	600403	Washer for drain plug ... ..	1	Up to Comm. No. TT8958 only
	WF.0513	Washer for drain plug ... ..	1	Comm. No. TT8959 and future
	UH.0706/P	Screw, tank attachment ... ..	18	
	WM.0057	Plain washer, tank attachment ... ..	18	
	600482	Petrol filler cap and neck assembly ... ..	1	
	600481	Filler neck ... ..	1	
	600477	Sealing washer ... ..	1	
	600479	Cover ... ..	1	
	600654	Petrol filler grommet ... ..	1	
	CD25567	Rubber connection, top and bottom ... ..	2	
	600404	Petrol filler pipe ... ..	1	
	CS4034	Hose clip ... ..	4	
	550242	Locking device for petrol filler cap ... ..	1	
	550187	Screw, filler cap fixing ... ..	2	



## TRIUMPH MAYFLOWER SPARE PARTS LIST

Ref. No.	Part No.	Description	No. Off	Remarks
<b>PETROL AND OIL PIPE DETAILS</b>				
	300325	Petrol pipe, tank to connection ... ..	1	
	60142	Tubing nut, male, pipe to tank ... ..	1	
	TL.0008	Tubing sleeve, pipe to tank ... ..	1	
	103070	Flexible petrol pipe ... ..	1	
	CD.25568	Pipe clip ... ..	5	
	60141	Tubing nut, female, pipe to flex ... ..	1	
	TL0008	Tubing sleeve, pipe to flex ... ..	1	
	200345	Petrol pipe, pump to carburettor ... ..	1	
	60176	Tubing nut ... ..	2	
	TL0007	Tubing sleeve ... ..	2	
	101838	Pipe clip ... ..	1	
	300349	Oil pressure gauge pipe ... ..	1	
	600395	Grommet for pipe ... ..	1	
	60177	Tubing nut, flex end of pipe ... ..	1	
	101050	Flexible oil pipe ... ..	1	
	500469	Fibre washer for flexible pipe ... ..	1	
	59380	Pipe clip ... ..	3	
	YH.6404	Self tapping screw ... ..	2	
	101837	Capillary cup ... ..	1	
<b>ROAD WHEEL DETAILS</b>				
	300175	Road wheel, primed ... ..	5	Up to Comm. No. TT5553 only
	300612	Road wheel, primed ... ..	5	Comm. No. TT5554 and future
	200244	Nave plate ... ..	5	13/- each
	100870	Road wheel nut ... ..	8	in stock
	500453	Rimbellisher ... ..	1	set

*It is always essential to quote the commission number — with prefix or suffix letters (if any) — inscribed on the plate fixed to scuttle under bonnet.*



## TRIUMPH MAYFLOWER SPARE PARTS LIST

Ref. No.	Part No.	Description	No. Of	Remarks
<b>FRONT BUMPER DETAILS</b>				
	800095	Front bumper assembly	1	
1	700110	Overider assembly, right and left hand	2	
2	800131	Front bumper bar only	1	
	600547	Front number plate	1	
3	550091	Bolt	2	
4	600352	Spring, outer support	2	
5	600353	Spring, inner support	2	
6	550092	Nut	4	
7	550093	Spring washer	4	
	550094	Plain washer	2	
9	700097	Front bumper valance	1	
	102749	Spot lamp bracket assembly	1	
<b>REAR BUMPER DETAILS</b>				
	800096	Rear bumper assembly	1	
10	700187	Rear bumper valance	1	
11	600496	Main spring	2	
12	800155	Rear bumper bar only	1	
	600727	Rear number plate	1	
13	700110	Overider assembly, right and left hand	2	
8	600559	Plug button	2	
	550091	Bolt	2	
	550092	Nut	4	
	550093	Spring washer	4	
	550094	Plain washer	2	
	600558	Adaptor plate	2	

## TRIUMPH MAYFLOWER SPARE PARTS LIST

Ref. No.	Part No.	Description	No. Off	Remarks
<b>REAR NUMBER PLATE DETAILS</b>				
	600727	Rear number plate	1	
	TR.6504	Screw fixing	3	
	700339	Swivel bracket assembly	1	
	600696	Fulcrum bracket	1	
	600864	Stiffener plate	1	
	600699	Washer	1	
	600925	Rubber tube	1	
	TP.0504	Screw	3	
	WL.0205	Lock washer	3	
	NH.2005	Nut	3	
	NH.2008	Nut	1	
	NJ.2108	Locknut	1	
	WP.0017	Plain washer	1	

## TRIUMPH MAYFLOWER SPARE PARTS LIST

Ref. No.	Part No.	Description	No. OF	Remarks
<b>ELECTRICAL DETAILS</b>				
	60950	Dynamo, used with control box 101929	1	Up to Comm. No. TT6155 only
	200657	Dynamo	1	Comm. No. TT6156 and future
	59743	Brush set	1	
	70033	Bush, commutator end	1	
	70046	Oiler	1	
	57577	Spring set	1	
	70027	Bearing, drive end	1	
	59748	Bracket, drive end	1	
	59751	Armature	1	
	59752	Field coils	1	
	70388	Sundry parts kit	1	
	52200	Radio suppressor	1	
	200325	Starter motor	1	Up to Comm. No. TT1000 only
	200535	Starter motor	1	Comm. No. TT1001 and future
	103424	Shroud for starter motor, right hand steering	1	
	103276	Shroud for starter motor, left hand steering	1	
	70057	Main spring	1	
	70051	Pinion and sleeve	1	Up to Comm. No. TT1000 only
	500892	Pinion and sleeve	1	Comm. No. TT1001 and future
	70052	Armature	1	
	70391	Sundry parts kit	1	
	500926	Bush, commutator end	1	
	500927	Bush, drive end	1	
	70329	Sleeve and rubber assembly	1	
	101253	Starter switch	1	
	101254	Starter switch coupling	1	

*It is always essential to quote the commutation number — with prefix or suffix letters (if any) — imprinted on the plate fixed to scuttle under bonnet.*



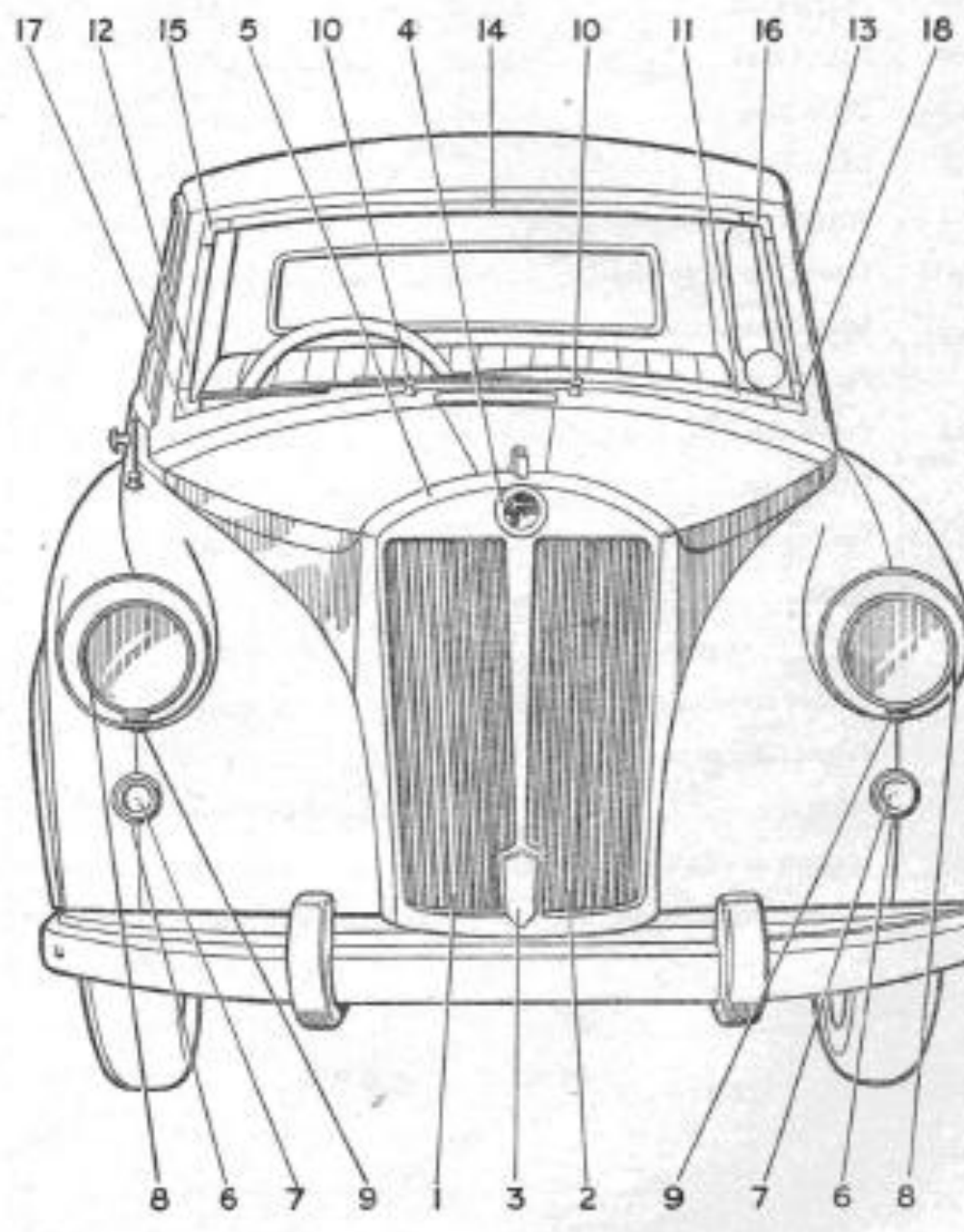
**TRIUMPH MAYFLOWER SPARE PARTS LIST**

Ref. No.	Part No.	Description	No. Off	Remarks
	200326	Distributor	1	
	57467	Distributor cover	1	
	57468	Brush and spring set	1	
	57469	Rotor arm	1	
	57470	Contact set	1	
	58308	Condenser	1	
	59769	Cam	1	
	59773	Bearing bush, top	1	
	59774	Bearing bush, bottom	1	
	57991	Driving dog	1	
	57992	Peg for dog	1	
	200327	Ignition coil	1	
	500905	Screwdriver and dist. gauge	1	
	58024	Horn, high note, right hand	1	
	58025	Horn, low note, left hand	1	
	BH.0706	Bolt, horn attachment	4	
	NH.2007	Nut, horn attachment	4	
	WL.0207	Lock washer, horn attachment	4	
	200334	Battery	1	
	200335	Battery, sealed	1	Export
	101929	Control box	1	Up to Comm. No. TT6155 only
	101931	Control box	1	Comm. No. TT6156 and future
	500729	Cover, control box	1	
	101932	Fuse box, 2 way	1	
	200499	Speedometer, mile	1	Up to Comm. No. TT2162 only
	102963	Speedometer, mile	1	Comm. No. TT2163 and future
	200500	Speedometer, kilo.	1	Up to Comm. No. TT2176 only

## TRIUMPH MAYFLOWER SPARE PARTS LIST

Ref. No.	Part No.	Description	No. Off	Remarks
	102964	Speedometer, kilo. ... ..	1	Comm. No. TT2177 and future
	CD.26074	Speedo trip flex ... ..	1	
	200476	3 in 1 panel assembly ... ..	1	Up to Comm. No. TT2176 only
	102965	3 in 1 panel assembly ... ..	1	Comm. No. TT2177 and future
	101679	Petrol gauge, dash unit ... ..	1	Up to Comm. No. TT2161 only
	102723	Petrol gauge, dash unit ... ..	1	Comm. No. TT2162 and future
	200477	Petrol gauge, tank unit ... ..	1	Up to Comm. No. TT8958 only
	200900	Petrol gauge, tank unit ... ..	1	Comm. No. TT8959 and future
	101681	Thermometer assembly ... ..	1	Up to Comm. No. TT2161 only
	102724	Thermometer assembly ... ..	1	Comm. No. TT2162 and future
	600395	Grommet for capillary ... ..	1	
	101680	Oil pressure gauge ... ..	1	
	102553	Control head assembly ... ..	1	
	56334	Anti-rattle spring ... ..	2	
	102554	Stator tube ... ..	1	Comm. No. TT3984 and future
	501032	Base, trafficator switch ... ..	1	
	501033	Horn contact assembly ... ..	1	
	501043	Spring, horn push ... ..	1	
	500996	Rotor plunger ... ..	1	
	501034	Sundry parts set ... ..	1	
	501041	Top cover assembly ... ..	1	
	501042	Lever, trafficator switch ... ..	1	
	500997	Cam, pawls, and spring set ... ..	1	
	300238	Windscreen wiper motor ... ..	1	
	59491	Brush set ... ..	1	
	500528	Wheel box ... ..	2	
	500537	Windscreen wiper arm ... ..	2	Right hand steering

*It is always essential to quote the commission number — with prefix or suffix letters (if any) — imprinted on the plate fixed to scuttle under bonnet.*



## TRIUMPH MAYFLOWER SPARE PARTS LIST

Ref. No.	Part No.	Description	No. Off	Remarks
	61237	Windscreen wiper arm ... ..	2	Left hand steering
→	58304	Windscreen wiper blade ... ..	2	
	700305	Bracket, windscreen wiper motor ... ..	1	
10	500551	Escutcheon, windscreen wiper ... ..	2	
	500552	Nut for escutcheon ... ..	2	
	58029	Trafficator ... ..	2	
	60089	Fixing plate ... ..	2	
	60108	Screw, fixing ... ..	2	
	60109	Spring washer, fixing ... ..	2	
	59794	Arm ... ..	2	
	59797	Cover ... ..	2	
	59796	Lead ... ..	2	
	57599	Bulb ... ..	2	
	58033	Three way switch, panel and roof ... ..	1	
	CD.25594	Knob for switch ... ..	1	
	59445	Rubber washer ... ..	1	
	101255	Switch, lights and ignition ... ..	1	
	104297	Knob for switch ... ..	1	
	CD.31186	Ignition barrel ... ..	1	
	58036	Switch, screen wiper ... ..	1	
	CD.25596	Knob, screen wiper switch ... ..	1	
	59445	Rubber washer ... ..	1	
	101934	Heater switch ... ..	1	} Required only when heater is fitted
	600310	Knob for heater switch ... ..	1	
	54902	Washer for oil gauge ... ..	1	
	SP.84 C1	Screw, panel attachment ... ..	4	
	400061/1	Inner speedometer cable ... ..	1	Up to Comm. No. TT1967 only

## TRIUMPH MAYFLOWER SPARE PARTS LIST

Ref. No.	Part No.	Description	No. Off	Remarks
	400085/1	Inner speedometer cable ... ..	1	Comm. No. TT1968 and future
	400081/0	Outer speedometer cable ... ..	1	Up to Comm. No. TT1967 only
	400085/0	Outer speedometer cable ... ..	1	Comm. No. TT1968 and future
	61903	Headlamp assembly, right hand, right hand steering	1	Up to Comm. No. TT4217 only
	500481	Headlamp assembly, right hand steering ... ..	2	Comm. No. TT4217 to TT only
	501103	Headlamp assembly, right hand steering ... ..	2	Comm. No. TT and future
	61905	Headlamp assembly, left hand, right hand steering	1	Up to Comm. No. TT4217 only
	59782	Light unit, with reflector and glass ... ..	2	"Diamond" lens
	500518	Light unit, with reflector and glass ... ..	2	"Block" lens
8	59779	Headlamp rim ... ..	2	
9	TR.6506	Screw, headlamp to body ... ..	6	
	WL.0205	Lock washer, headlamp to body ... ..	6	
	CD.24855	Nut retainer, headlamp to body ... ..	6	
	NQ.2705	Square nut, headlamp to body ... ..	6	
	59468	Headlamp bulb, 12v., 36 w.d.f. ... ..	As req.	
	59466	Headlamp bulb, 12v., 36 w.s.f. ... ..	As req.	
	500482	Headlamp bulb, 12v., 42/36 w.d.f. ... ..	As req.	
	59471	Headlamp bulb, 12v., 35/35 w.d.f. ... ..	As req.	
	59469	Headlamp bulb, 12v., 36/36 w.d.f. ... ..	As req.	Export
	60796	Headlamp bulb, 12v., 35/35 w.d.f. ... ..	As req.	Left hand steering
	500932	Headlamp bulb, 12v., 45/35 w.d.f. ... ..	As req.	Straight dip
	61907	Headlamp assembly, left hand steering ... ..	2	Vertical dip Up to Comm. No. TT3263 only
	500483	Headlamp assembly, left hand steering ... ..	2	Comm. No. TT3264 to TT only
	501105	Headlamp assembly, left hand steering ... ..	2	Comm. No. TT and future
	61908	Headlamp assembly, France only ... ..	2	Up to Comm. No. TT only
	501106	Headlamp assembly, France only ... ..	2	Comm. No. TT and future
	61834	Side lamp ... ..	2	



## TRIUMPH MAYFLOWER SPARE PARTS LIST

Ref. No.	Part No.	Description	No. Of	Remarks
7	70339	Rim and glass	2	
	70340	Glass	2	
	70341	Rim for side lamp	2	
	59467	Bulb for side lamp	2	
	500040	Side lamp cable sleeve	2	
	101257	Stop tail lamp	2	
	500495	Rim for stop tail lamp	2	
	200716	Stop tail lamp body	2	
	500496	Glass for stop tail lamp	2	
	101936	Stop tail lamp body seating washer	2	
	500070	Bulb for stop tail lamp	2	
	500497	Seating rubber, stop tail lamp	2	
	61272	Number plate lamp	1	
	500492	Glass for number plate lamp	1	
	59467	Bulb for number plate lamp	1	
	102111	Dome nut, lamp to bracket	2	
	WL.0205	Lock washer, lamp to bracket	2	
	101933	Warning light assembly	1	
	58031	Light bezel and glass	1	
	59492	Bulb for warning light	1	
61359	Fog lamp	1		
101712	Fog lamp bracket	1		
102749	Fog lamp support	1		
101256	Panel connector	1		
59492	Bulb	3		
400019	Choke control cable, inner	1		
400022	Choke control cable, outer	1		

## TRIUMPH MAYFLOWER SPARE PARTS LIST

Ref. No.	Part No.	Description	No. Off	Remarks
	600725	<b>Knob, choke control</b> ... ..	1	
	59445	<b>Rubber washer, choke control</b> ... ..	1	
	400024	<b>Starter control cable, outer</b> ... ..	1	Up to Comm. No. TT11967 only
	400029	<b>Starter control cable, outer</b> ... ..	1	
	400023	<b>Starter control cable, inner</b> ... ..	1	Up to Comm. No. TT11967 only
	400030	<b>Starter control cable, inner</b> ... ..	1	
	600726	<b>Knob for starter control</b> ... ..	1	
	59445	<b>Rubber washer</b> ... ..	1	
	300254	<b>Chassis harness assembly</b> ... ..	1	
	300181	<b>Battery to earth cable</b> ... ..	1	
	102711	<b>Grommet, number plate lamp cable</b> ... ..	1	
	60519	<b>Engine to earth lead</b> ... ..	} Assembly No. 300255 }	
	60518	<b>Coil to distributor lead</b> ... ..		1
	500421	<b>Switch to starter lead</b> ... ..		
	300255	<b>Engine harness sundries</b> ... ..	1	
	300396	<b>Main body harness assembly</b> ... ..	1	
	600500	<b>Roof lamp</b> ... ..	1	
	600502	<b>Glass for roof lamp</b> ... ..	1	
	600715	<b>Bulb for roof lamp</b> ... ..	1	

*It is always essential to quote the commission number — with prefix or suffix letters (if any) — imprinted on the plate fixed to scuttle under bonnet.*

## TRIUMPH MAYFLOWER SPARE PARTS LIST

Ref. No.	Part No.	Description	No. Off	Remarks
<b>TOOL KIT DETAILS</b>				
	300354	Tool kit complete assembly ... ..	1	
	200260	Starting handle assembly ... ..	1	
	101761	Wheel nut spanner ... ..	1	
	200339	Jack assembly ... ..	1	
	59429	Grease gun ... ..	1	
	24731	Tool roll ... ..	1	
	101318	Open ended spanner ... ..	1	
	101319	Open ended spanner ... ..	1	
	59426	Open ended spanner ... ..	1	
	1396	Adjustable spanner ... ..	1	
	101308	Slip joint grips ... ..	1	
	27383	Spanner, tappet adjustment ... ..	1	
	102761	Tube spanner ... ..	1	
	101089	Sparking plug spanner ... ..	1	
	59427	Combination tool ... ..	1	
	101763	Feeler gauge assembly ... ..	1	
	52203	Tyre valve tool ... ..	1	
	52322	Tyre levers ... ..	2	
	500905	Screwdriver and distributor gauge ... ..	1	
	500452/53	Spare parts list ... ..	1	
	500115	Instruction book ... ..	1	
	500833	Service instruction manual ... ..	1	
	500838	Skid chains ... ..	1 set	

## TRIUMPH MAYFLOWER SPARE PARTS LIST

Ref. No.	Part No.	Description	No. Off	Remarks
<b>MISCELLANEOUS DETAILS</b>				
	300349	Oil pressure gauge pipe	1	
	60177	Tubing nut	1	
	101050	Flexible oil pipe	1	
	500469	Fibre washer	1	
	101884	Plug for jack bracket	4	
	101837	Capillary clip	1	
	59380	Pipe clip	3	
	600445	Clip, clock and speedo trip adjuster	1	
	600499	Anti-rattle felt, handbrake cable	1	
	600396	Grommet, speedo cable	1	
	61917	Grommet, starter cable and choke	1	
	101889	Commission and patent number plate	1	
	500459	Purolator filter assembly	1	
	500360	Purolator filter element	1	
	700354	Interior driving mirror	1	
	600434	Visor complete assembly	2	
	CD.25624	Licence holder	1	
	600661	Nameplate "Mayflower"	2	
	700183	Door anti-drum batten	2	

*It is always essential to quote the commission number — with prefix or suffix letters (if any) — imprinted on the plate fixed to scuttle under bonnet.*

## TRIUMPH MAYFLOWER SPARE PARTS LIST

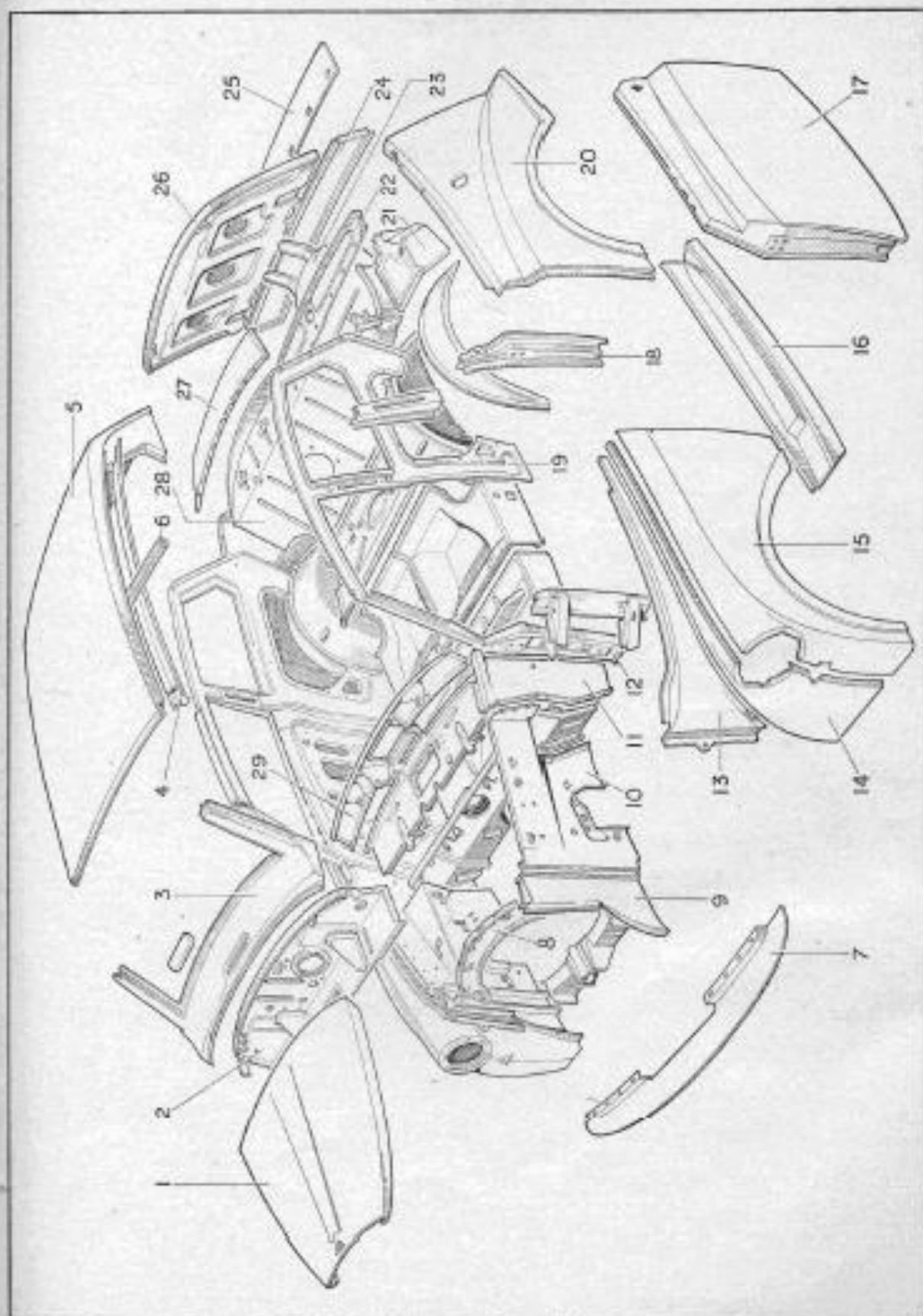
Ref. No.	Part No.	Description	No. Off	Remarks
<b>BONNET DETAILS</b>				
	900147	Bonnet, complete assembly ... ..	1	
	800115	Bonnet ledge panel, right hand ... ..	1	
	800114	Bonnet ledge panel, left hand ... ..	1	
	600297	Finishing strip, bonnet ... ..	1	Up to Comm. No. TT6004 only
	600299	Fixing stud ... ..	7	
	FP.1004	Spire fix ... ..	7	
	700204	Bonnet hinge assembly, left hand ... ..	1	
	700205	Bonnet hinge assembly, right hand ... ..	1	
	600272	Catch plate support bracket for bonnet ... ..	1	
	700136	Catch plate, bonnet lock ... ..	1	
	600935	Bonnet support bracket assembly ... ..	1	
	600392	Buffer retainer assembly ... ..	1	
	600393	Buffer assembly ... ..	1	
	CD.27769	Plug, bonnet buffer ... ..	2	
	600674	Bonnet sealing rubber ... ..	1	
	700120	Bonnet handle, motif type, complete ... ..	1	
	600442	Locking device ... ..	1	
	600440	Weather shield ... ..	1	
	550036	Screw, weather shield fixing ... ..	1	
	600435	Seating washer ... ..	1	
	600222	Bonnet catch ... ..	1	} Used with bonnet handle having $\frac{1}{4}$ " thick shank only
	600225	Spacer ... ..	1	
	600223	Spring ... ..	1	
	600224	Locating cup ... ..	1	
	600226	Spring ... ..	1	
	600436	Retaining plate ... ..	1	



## TRIUMPH MAYFLOWER SPARE PARTS LIST

Ref. No.	Part No.	Description	No. Off	Remarks
	550490	Bonnet catch ... ..	1	} Used with bonnet handle having $\frac{3}{8}$ " thick shank only
	550491	Spacer ... ..	1	
	550492	Spring retaining cup ... ..	1	
	550493	Locating cup ... ..	1	
	550494	Retaining plate ... ..	1	
	600226	Spring ... ..	1	
	550435	Fibre washer ... ..	1	
	551156	Special washer ... ..	4	
	601493	Handle insert ... ..	1	
	551155	Castle nut ... ..	1	
	600493	Spring, bonnet handle ... ..	1	
	600494	Spring, bonnet handle ... ..	1	
	900070	Bonnet stiffener assembly ... ..	1	

*It is always essential to quote the commission number — with prefix or suffix letters (if any) — imprinted on the plate fixed to scuttle under bonnet.*



## TRIUMPH MAYFLOWER SPARE PARTS LIST

Ref. No.	Part No.	Description	No. OR	Remarks
<b>BODY AND BODY SECTIONS</b>				
	550106	Body complete, painted and trimmed ... ..	1	
	550082	Body shell only ... ..	1	
2	800169	Dash front panel assembly ... ..	1	
3	700209	Scuttle top panel assembly ... ..	1	For reference only— use details
		Comprising :		
	900035	Scuttle top panel ... ..	1	
	900033	Screen pillar, left hand ... ..	1	
	900034	Screen pillar, right hand ... ..	1	
	900084	Screen frame, top ... ..	1	
	900085	Screen frame, bottom ... ..	1	
	900093	Screen frame, left hand ... ..	1	
	900094	Screen frame, right hand ... ..	1	
	800192	Header finisher panel ... ..	1	
	900156	Roof panel only ... ..	1	
5	800264	Roof and scuttle panel assembly ... ..	1	
	700355	Roof panel to post "A" reinforcement, left hand	1	
	700356	Roof panel to post "A" reinforcement, right hand	1	
6	800183	Roof stiffener ... ..	1	
	800029	Backlight reinforcement ... ..	1	Up to Comm. No. TT9830 only Comm. No. TT9931 and future
	800265	Backlight reinforcement ... ..	1	
10	800182	Front wing valance assembly, right hand ... ..	1	
	800261	Front wing valance assembly, left hand ... ..	1	
9	800219	Front valance and radiator support, right hand ...	1	
	800218	Front valance and radiator support, left hand ...	1	
8	800159	Radiator support, top ... ..	1	
	800147	Battery carrier assembly ... ..	1	

## TRIUMPH MAYFLOWER SPARE PARTS LIST

Ref. No.	Part No.	Description	No. Off	Remarks
2	800169	Dash front panel assembly ... ..	1	
	700171	Steering column cover ... ..	1	
	800111	Post A" liner, right hand ... ..	1	
	800110	Post A" liner, left hand ... ..	1	
	700208	Sill front end filler, right hand ... ..	1	
	700207	Sill front end filler, left hand ... ..	1	
	700245	Front top corner finisher, right hand ... ..	1	
	700244	Front top corner finisher, left hand ... ..	1	
	700247	Wheel arch panel sealing strip ... ..	2	
29	900071	Facia assembly ... ..	1	
	800105	Facia top rail assembly, right hand ... ..	1	
	800104	Facia top rail assembly, left hand ... ..	1	
	800251	Facia centre, radio cover assembly ... ..	1	
	800252	Facia panel centre ... ..	1	
28	900072	Rear squab bulkhead and tray assembly ... ..	1	
26	900077	Trunk lid assembly ... ..	1	
	700268	Trunk top panel assembly ... ..	1	
	600173	Valance fixing bracket assembly ... ..	2	
25	700187	Rear bumper valance ... ..	1	
	601210	Rubber seal, rear bumper valance ... ..	1	
	601209	Rubber seal retainer, rear bumper valance ... ..	1	
1	900148	Bonnet top ... ..	1	
	900070	Stiffener, bonnet front ... ..	1	
	700193	Support channel assembly ... ..	1	
24	700213	Bottom back panel assembly ... ..	1	
25	800223	Spare wheel support assembly ... ..	1	
	601298	Spare wheel nut pan and hook assembly ... ..	1	

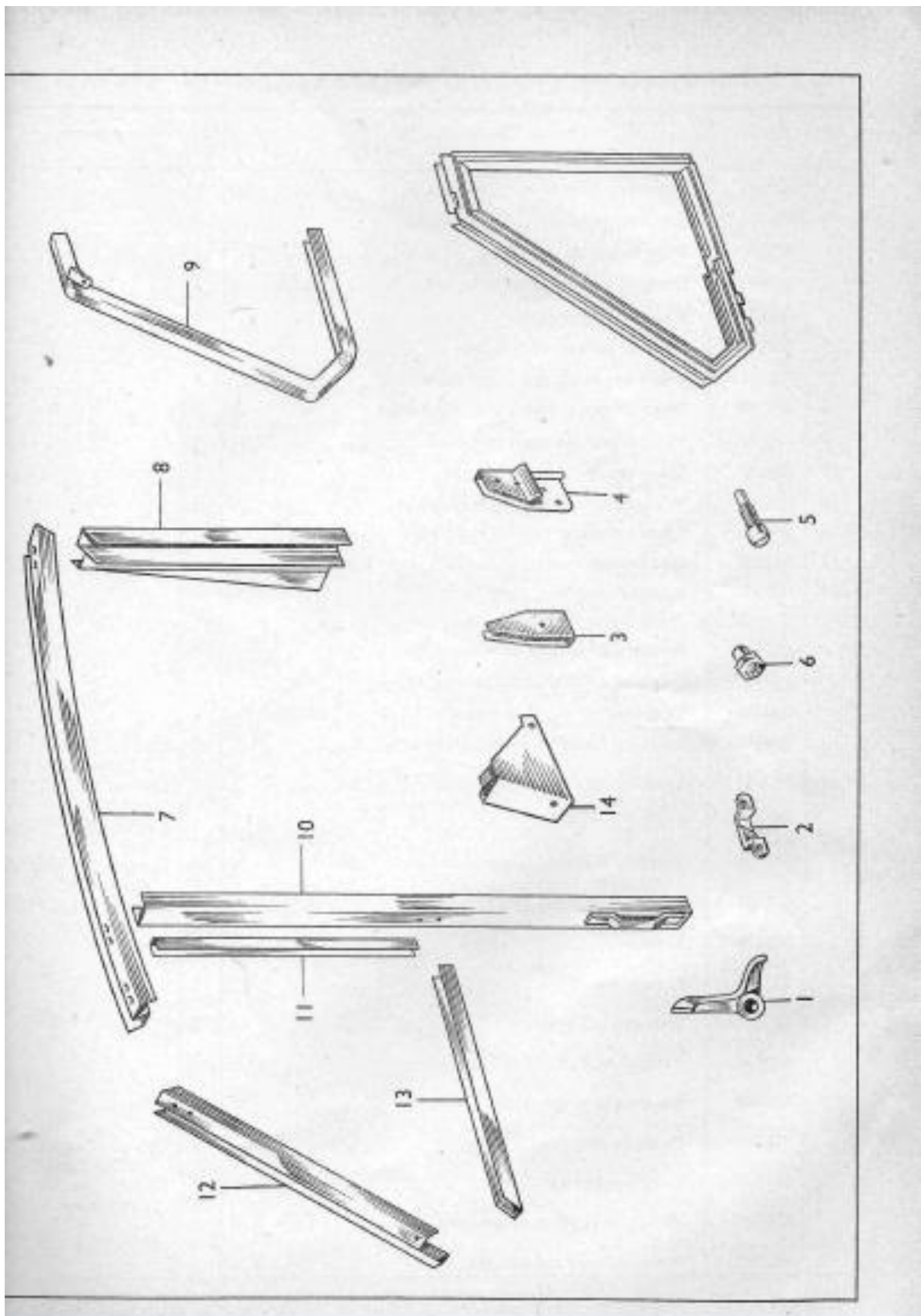
## TRIUMPH MAYFLOWER SPARE PARTS LIST

Ref. No.	Part No.	Description	No. Off	Remarks
7	700097	Front bumper valance ... ..	1	
	900074	Front wing assembly, right hand ... ..	1	
	900073	Front wing assembly, left hand ... ..	1	
	900018	Front wing panel, inner, right hand ... ..	1	
14	900017	Front wing panel, inner, left hand ... ..	1	
15	900020	Front wing outer panel, right hand ... ..	1	
	900019	Front wing outer panel, left hand ... ..	1	
	800202	Wing bead, right hand ... ..	1	
	800201	Wing bead, left hand ... ..	1	
	800120	Post "A" lower, right hand ... ..	1	
	800119	Post "A" lower, left hand ... ..	1	
	CD.24401	Headlamp ring ... ..	2	
4	800171	Cant rail assembly, right hand ... ..	1	
	800170	Cant rail assembly, left hand ... ..	1	
16	800173	Sill assembly, right hand ... ..	1	
	800172	Sill assembly, left hand ... ..	1	
	102069	Jack bracket assembly ... ..	4	
12	700225	Post "A" assembly, right hand ... ..	1	
	700224	Post "A" assembly, left hand ... ..	1	
11	800168	Dash side panel assembly, right hand ... ..	1	
	800167	Dash side panel assembly, left hand ... ..	2	
20	900096	Quarter panel assembly, right hand ... ..	1	
21	900079	Corner filler, wheelarch to trunk, right hand ... ..	1	
	900095	Quarter panel assembly, left hand ... ..	1	
	900078	Corner filler, wheelarch to trunk, left hand ... ..	1	
18	700201	Post "B" lower assembly, right hand ... ..	1	
	700200	Post "B" lower assembly, left hand ... ..	1	



## TRIUMPH MAYFLOWER SPARE PARTS LIST

Ref. No.	Part No.	Description	No. Off	Remarks
19	900069	Cant rail and quarter panel finisher assembly, right hand ... ..	1	
	900068	Cant rail and quarter panel finisher assembly, left hand ... ..	1	
	600409	Ventilator door assembly ... ..	1	
	600549	Ventilator spring ... ..	1	
13	800115	Bonnet ledge panel, right hand ... ..	1	
	800114	Bonnet ledge panel, left hand ... ..	1	
22	800209	Rear floor extension ... ..	1	

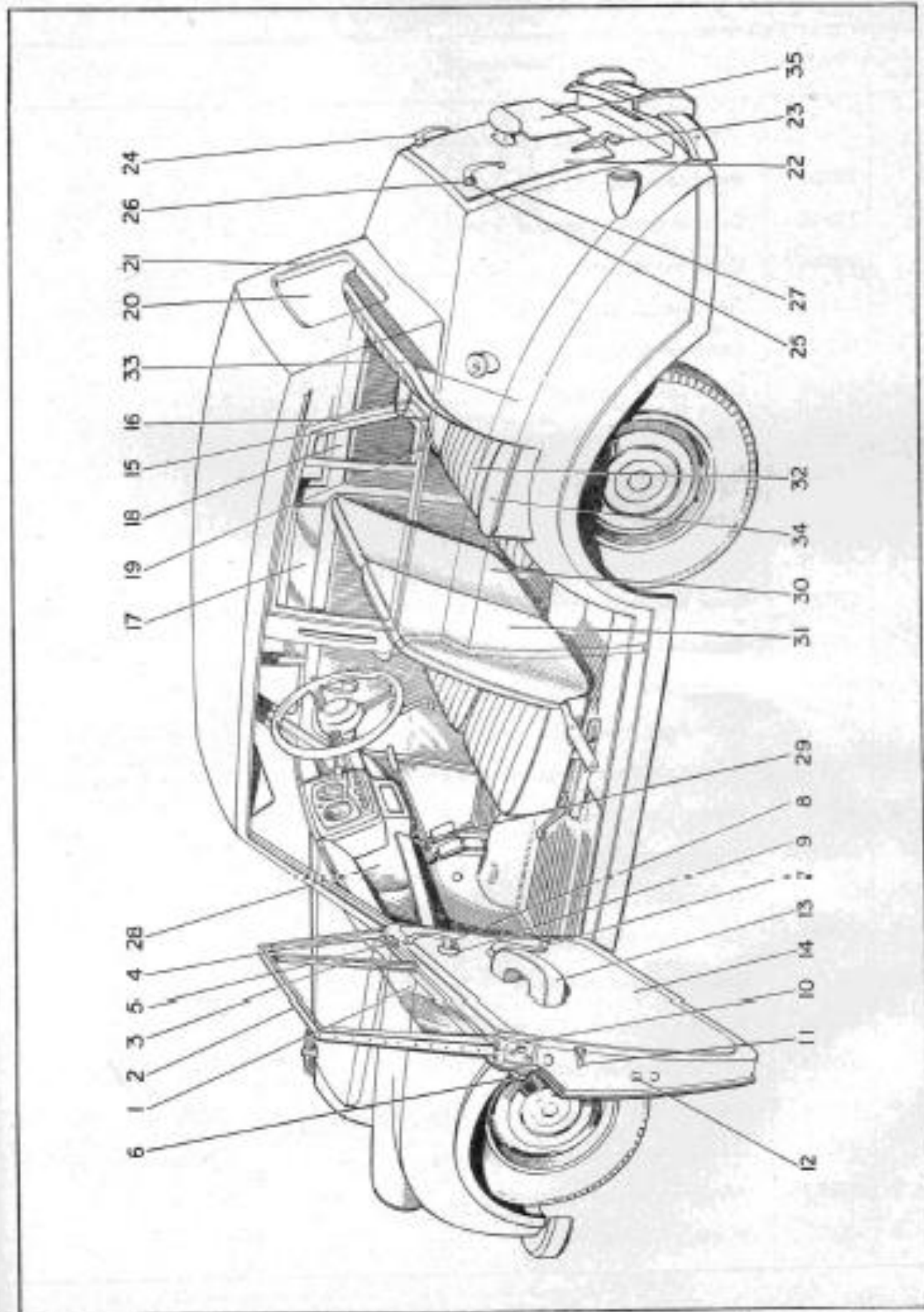


## TRIUMPH MAYFLOWER SPARE PARTS LIST

Ref. No.	Part No.	Description	No. Off	Remarks
<b>DOOR DETAILS</b>				
<b>Right Hand Door</b>				
	800152	Door assembly, bare, unpainted ... ..	1	Up to Comm. No. TT15067 only
	700483	Door assembly, bare, unpainted ... ..	1	Comm. No. TT15068 and future
	900067	Door panel, outer ... ..	1	Up to Comm. No. TT15067 only
	601251	Door panel, outer ... ..	1	Comm. No. TT15068 and future
	800154	Door panel, inner ... ..	1	Up to Comm. No. TT15067 only
	700489	Door panel, inner ... ..	1	Comm. No. TT15068 and future
	700223	Door hinge, top, right hand ... ..	1	
	700223,1	Door hinge pin ... ..	As req.	
	700302	Door hinge, bottom ... ..	1	
	700197	Door lock and remote control assembly ...	1	Up to Comm. No. TT15067 only
	601071	Door lock assembly, schmitzer type ...	1	} Comm. No. TT15068 and future
	601151	Remote control assembly ... ..	1	
	600673	Door glass ... ..	1	
	800178	Doorlight frame and vent assembly ...	1	Up to Comm. No. TT15067 only
	800178A	Doorlight frame and vent assembly ...	1	Comm. No. TT15068 and future
	Y1.2363	Screws, fixing ... ..	As req.	
	700130	Vent glass ... ..	1	
6	600287	Friction collet nut ... ..	1	
	600269	Glazing strip ... ..	1	
1	600182	Vent catch, right hand ... ..	1	
2	600181	Vent catch plate ... ..	1	
	600183	Screw for vent catch ... ..	1	
	Y1.2363	Screw for vent catch moulding ... ..	As req.	
	600316	Coil spring washer ... ..	2	
	600663	Vent rubber, right hand, bottom ... ..	1	

## TRIUMPH MAYFLOWER SPARE PARTS LIST

Ref. No.	Part No.	Description	No. Off	Remarks
3	600584	Finishing plate, front vent	1	
4	600581	Finishing plate, rear, right hand	1	
	600373	Stop bracket	1	
	600593	Drain channel, door vent	1	
	600673	Door window glass	1	
5	600215	Special screw, vent hinge	1	
7	700241	Door channel, cop, right hand	1	
8	600578	Door channel rear, cop, right hand	1	
9	700132	Vent inner frame, right hand	1	
10	600210	Door frame channel, front	1	
11	600214	Weatherstrip retainer channel	1	
12	600576	Channel outer, front, right hand	1	
13	600208	Channel outer, vent, bottom, right hand	1	
14	600580	Corner capping, right hand	1	
	700347	Door light regulator assembly	1	
	600722	Bottom channel, door regulator	1	
	600653	Glazing rubber, bottom channel	1	
	600655	Weatherstrip, door waist	2	
	600631	Locking handle, door, outside	1	Up to Comm. No. TT15067 only
	700520	Locking handle, door, outside	1	Comm. No. TT15068 and future
	601179	End clip	1	Comm. No. TT15068 and future
	601199	Seating washer, large	1	Comm. No. TT15068 and future
	601181	Seating washer, small	1	Comm. No. TT15068 and future
	500179	Screw	1	
	500205	Screw	1	
	WN.0703	Shakeproof washer	2	
	600633	Escutcheon, handle	1	
	600949	Seating washer, escutcheon	1	
	550247	Lock device	1	Up to Comm. No. TT15067 only
	601187	Locking device	1	Comm. No. TT15068 and future
	600824	Window regulator handle	1	
	600831	Remote control handle	1	





## TRIUMPH MAYFLOWER SPARE PARTS LIST

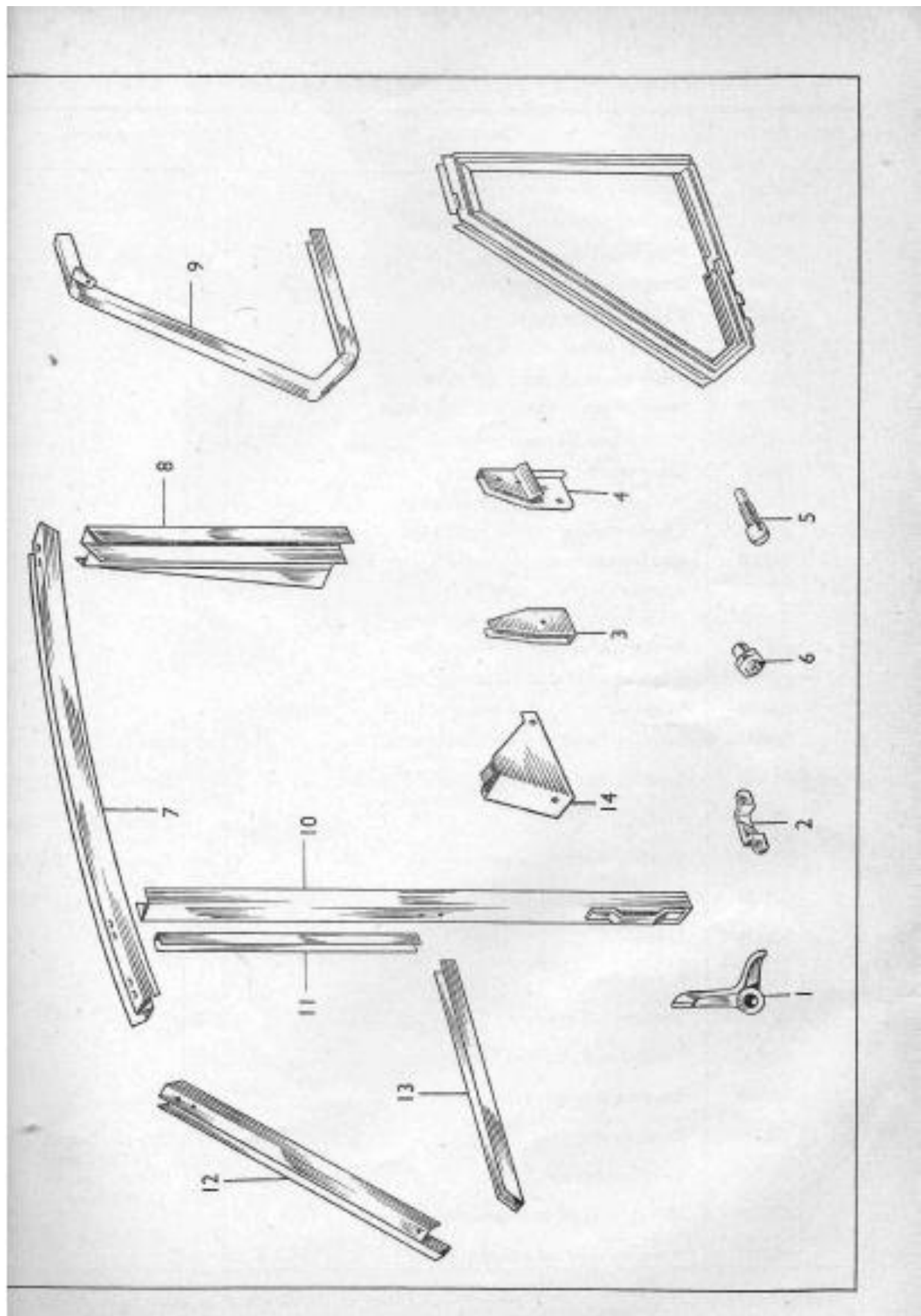
Ref. No.	Part No.	Description	No. Off	Remarks
	600826	Escutcheon for door handles ... ..	2	
	600827	Spring for door handle escutcheon ... ..	2	
	550252	Rubber insert, door handles ... ..	2	
	600600	Door dovetail, male ... ..	1	Up to Comm. No. TT15067 only
	600786	Door packing ... ..	1	Up to Comm. No. TT15067 only
	600837	Buffer female dovetail ... ..	1	Up to Comm. No. TT15067 only
	600839	Felt spring for female dovetail ... ..	2	Up to Comm. No. TT15067 only
	700243	Door sealing rubber ... ..	1	
	600594	Retaining clip for sealing rubber ... ..	48	
	500201	P.K. screw ... ..	2	
	SP. 132/B/NP	Cup washer ... ..	2	
	700183	Door anti-drum batten ... ..	1	
	CD.27974	Door arm rest assembly, please state colour ...	1	Up to Comm. No. TT14222 only
	700426	Door arm rest, please state colour ... ..	1	Comm. No. TT14223 and future
	700425	Armrest mounting ... ..	1	Comm. No. TT14223 and future
	YA.0322	Screw ... ..	2	Comm. No. TT14223 and future
	YA.0583	Screw ... ..	2	Comm. No. TT14223 and future
	600814	Door check ... ..	1	
	SP.92A/E6	Rivet, flat head ... ..	2	
	600473	Buffer plate assembly, door check ... ..	1	
	600560	Drain channel ... ..	1	
	601022	Striker plate, door ... ..	1	
	550459	Door casing assembly ... ..	1	Please state colour
	CD.27751	Door casing clip ... ..	26	
	600661	Nameplate "Mayflower" ... ..	1	

**TRIUMPH MAYFLOWER SPARE PARTS LIST**

Ref. No.	Part No.	Description	No. Off	Remarks
		<b>Left Hand Door</b>		
	800151	Door assembly, bare, unpainted ... ..	1	Up to Comm. No. TT15067 only
	700482	Door assembly, bare, unpainted ... ..	1	Comm. No. TT15068 and future
	900066	Door panel, outer ... ..	1	Up to Comm. No. TT15067 only
	601250	Door panel, outer ... ..	1	Comm. No. TT15068 and future
	800153	Door panel, inner ... ..	1	Up to Comm. No. TT15067 only
	700488	Door panel, inner ... ..	1	Comm. No. TT15068 and future
	700222	Door hinge, top, left hand ... ..	1	
	700223/1	Door hinge pin ... ..	As req.	
	700302	Door hinge bottom ... ..	1	
10	700196	Door lock and remote control assembly ...	1	Up to Comm. No. TT15067 only
	601070	Door lock assembly, schonitzer type ...	1	Comm. No. TT15068 and future
	601150	Remote control assembly ... ..	1	Comm. No. TT15068 and future
1	600673	Door glass ... ..	1	
2	800177	Door light frame and vent assembly ...	1	Up to Comm. No. TT15067 only
	800177A	Door light frame and vent assembly ...	1	Comm. No. TT15068 and future
3	700130	Vent glass ... ..	1	
	600269	Glazing strip ... ..	2	
4	600217	Vent catch ... ..	1	
5	600181	Vent catch plate ... ..	1	
	700285	Door light regulator ... ..	1	
	600722	Bottom channel, door regulator ... ..	1	
	600653	Glazing rubber, bottom channel ... ..	1	
6	600626	Outside door handle, non-locking ... ..	1	Up to Comm. No. TT15067 only
	601200	Outside door handle, non-locking ... ..	1	Comm. No. TT15068 and future
7	600824	Window regulator handle ... ..	1	
8	600831	Remote control handle ... ..	1	

## TRIUMPH MAYFLOWER SPARE PARTS LIST

Ref. No.	Part No.	Description	No. Of	Remarks	
9	600826	Escutcheon for door handles ... ..	2		
	550252	Rubber insert for door handle ... ..	2		
	600600	Door dovetail, male ... ..	1	Up to Comm. No. TT15067 only	
	600786	Packing ... ..	1	Up to Comm. No. TT15067 only	
	600837	Buffer, female, dovetail ... ..	1	Up to Comm. No. TT15067 only	
11	CD.24806	Slide dovetail, female ... ..	2	Up to Comm. No. TT15067 only	
	CD.24807	Spring for female dovetail ... ..	2	Up to Comm. No. TT15067 only	
	700242	Door sealing rubber ... ..	1	TT15067 only	
12	600670	Door plug ... ..	2		
	600594	Retaining clip for sealing rubber ... ..	48		
13	CD.27974	Door armrest assembly, please state colour ... ..	1	Up to Comm. No. TT14222 only	
	700426	Door armrest assembly, please state colour ... ..	1	Comm. No. TT14223 and future	
	700425	Armrest mounting ... ..	1	Comm. No. TT14223 and future	
	YA.0322	Screw ... ..	2	Comm. No. TT14223 and future	
	YA.0583	Screw ... ..	2	Comm. No. TT14223 and future	
	600814	Door check ... ..	1		
	600473	Buffer plate assembly, door check ... ..	1		
	601021	Striker plate, door ... ..	1		
	14	550458	Door casing assembly ... ..	1	Please state colour
		CD.27751	Door casing clip ... ..	26	
600661		Nameplate "Mayflower" ... ..	1		

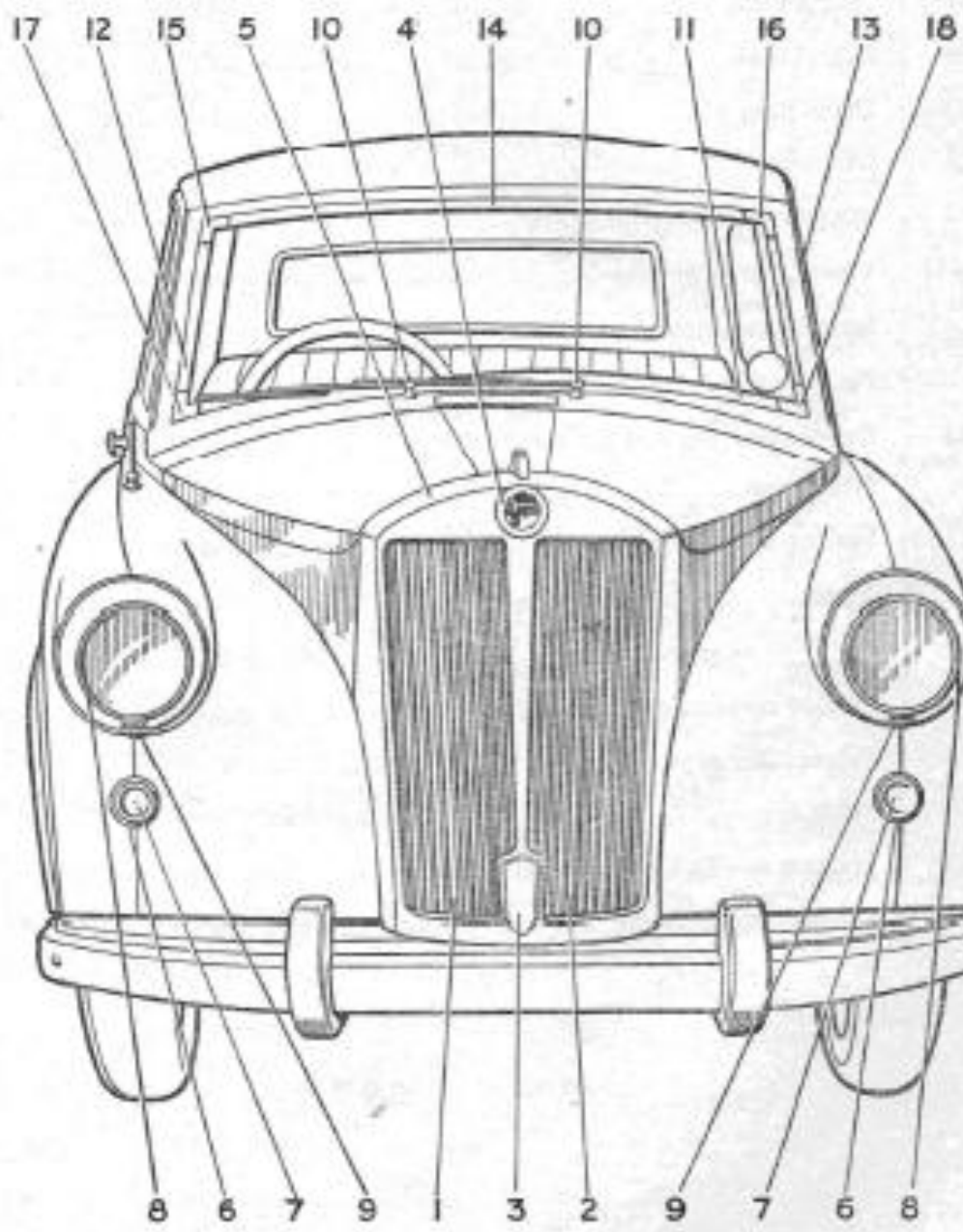


**TRIUMPH MAYFLOWER SPARE PARTS LIST**

Ref. No.	Part No.	Description	No. Off	Remarks
<b>DOOR LIGHT FRAME AND VENT ASSEMBLY</b>				
<b>Left Hand</b>				
1	600217	Vent catch, left hand ... ..	1	
2	600219	Vent catch plate ... ..	1	
	600183	Screw for vent catch ... ..	1	
	YJ.2363	Screw, vent catch moulding ... ..	As req.	
	600316	Coil spring washer ... ..	2	
	600662	Vent rubber, left hand, bottom ... ..	1	
3	600583	Finishing plate, front vent ... ..	1	
4	600582	Finishing plate, rear, left hand ... ..	1	
	600373	Stop bracket ... ..	1	
	600593	Drain channel, door vent ... ..	1	
5	600215	Special screw, vent hinge ... ..	1	
6	600287	Friction collet nut ... ..	1	
	600269	Glazing strip ... ..	1	
7	700240	Door channel, top, left hand ... ..	1	
8	600577	Door channel rear, top, left hand ... ..	1	
9	700131	Vent inner frame, left hand ... ..	1	
10	600210	Door frame channel, front ... ..	1	
11	600214	Weatherstrip retainer channel ... ..	1	
12	600575	Channel outer, front, left hand ... ..	1	
13	600209	Channel outer, vent, bottom, left hand ... ..	1	
14	600579	Corner capping, left hand ... ..	1	

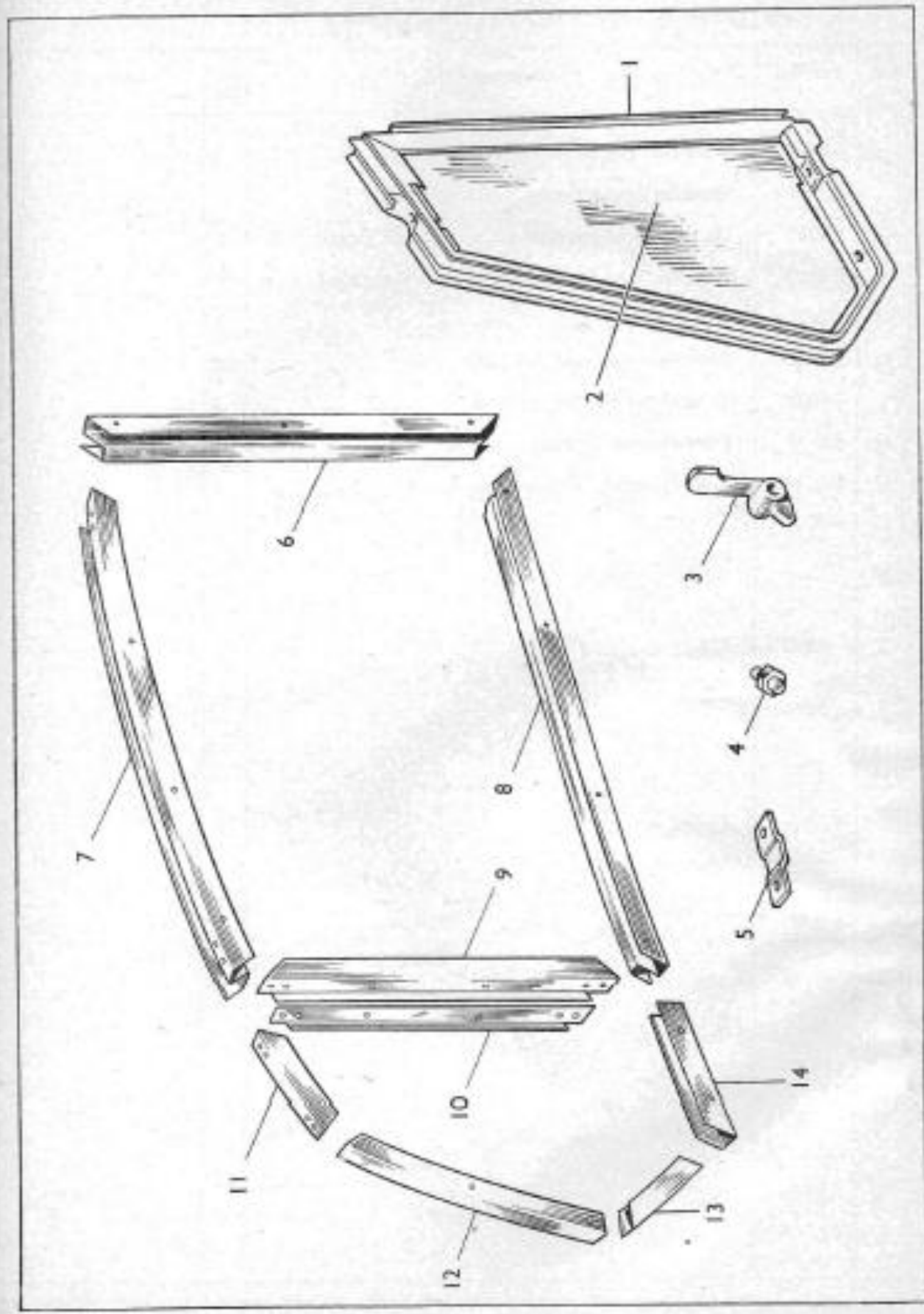
*It is always essential to quote the consultation number — with prefix or suffix letters (if any) — imprinted on the plate fast to scroll under bonnet.*





**TRIUMPH MAYFLOWER SPARE PARTS LIST**

Ref. No.	Part No.	Description	No. Off	Remarks
		<b>WINDSCREEN DETAILS</b>		
	700297	Windscreen glass	1	
	600951	Windscreen glass, laminated	1	Export only
	900087	Glazing rubber for windscreen	1	
14	900088	Windscreen finisher, top	1	
12	900094	Windscreen frame, side, right hand	1	
11	900089	Windscreen finisher, bottom	1	
	900093	Windscreen frame, side, left hand	1	
	900103	Windscreen finisher, side, right hand	1	
	900084	Windscreen frame, top	1	
13	900104	Windscreen finisher, side, left hand	1	
15	900105	Corner finisher, top, left hand	1	
16	900106	Corner finisher, top, left hand	1	
17	900107	Corner finisher, bottom, right hand	1	
18	900108	Corner finisher, bottom, left hand	1	



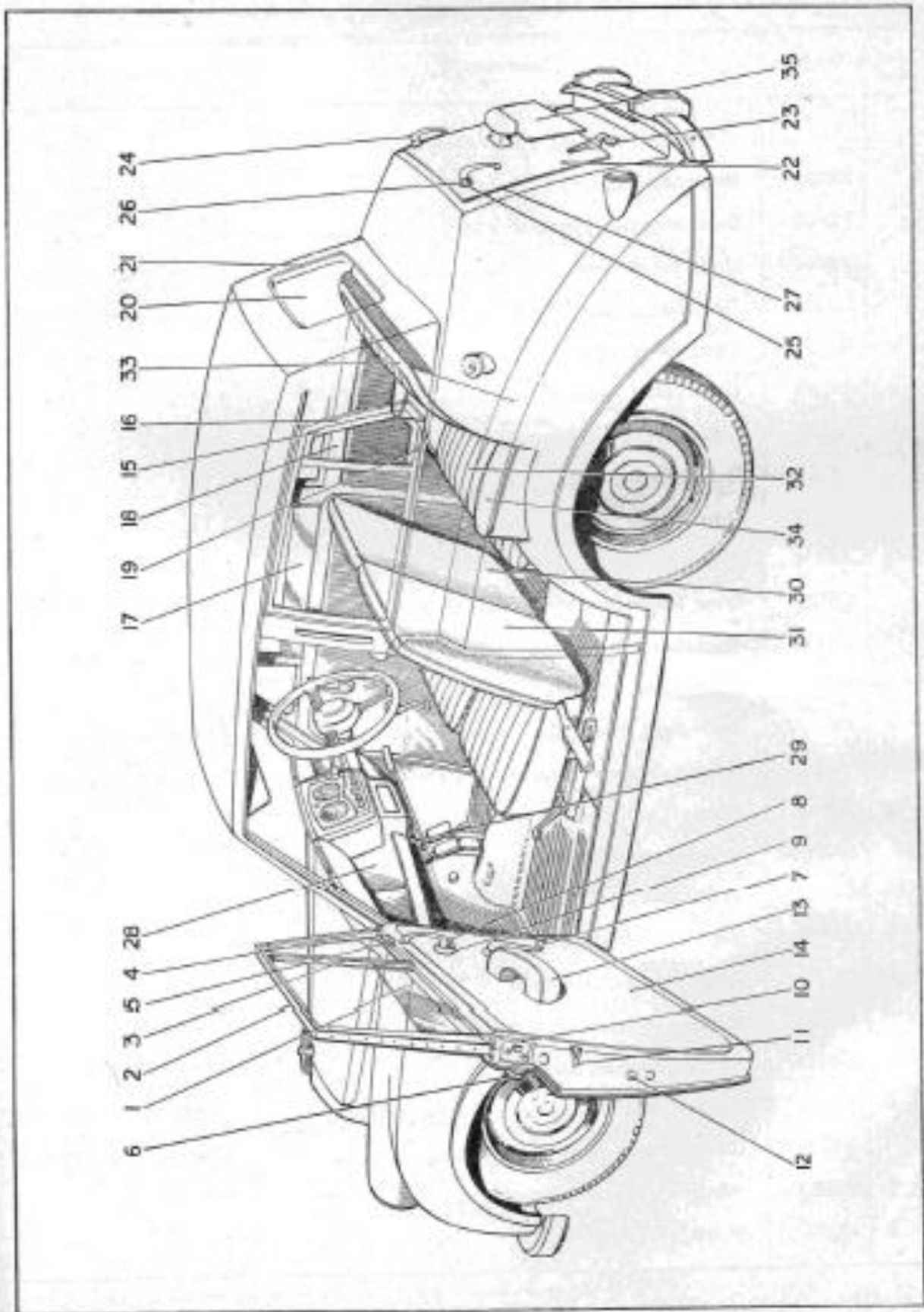
## TRIUMPH MAYFLOWER SPARE PARTS LIST

Ref. No.	Part No.	Description	No. Off	Remarks
<b>REAR QUARTER DETAILS</b>				
<b>Left and Right Hand</b>				
	800101	Rear quarter light and vent assembly, left hand	1	
	800102	Rear quarter light and vent assembly, right hand	1	
1	CD.31262	Rear quarter light vent and glass, left hand ...	1	
	CD.31261	Rear quarter light vent and glass, right hand ...	1	
	800220	Sealing rubber, quarter light, left hand ...	1	
	800221	Sealing rubber, quarter light, right hand ...	1	
	700149	Quarter light glass ...	2	
2	700157	Quarter light vent glass ...	2	
	600338	Glazing strip for vent glass ...	2	
	800099	Weatherstrip, left hand ...	1	
	800100	Weatherstrip, right hand ...	1	
3	600283	Vent catch lever, left hand ...	1	
	600284	Vent catch lever, right hand ...	1	
	600183	Vent catch screw ...	2	
4	600286	Friction collet nut ...	2	
	500248	Washer for friction nut ...	2	
	600316	Spring washer ...	2	
	600288	Top pivot screw for vent ...	2	
5	600355	Drain plate ...	2	
6	700145	Quarterlight channel, front, left hand ...	1	
	700146	Quarterlight channel, front, right hand ...	1	
7	700141	Quarterlight channel, top, left hand ...	1	
	700142	Quarterlight channel, top, right hand ...	1	
8	700147	Quarterlight channel, bottom, left hand ...	1	
	700148	Quarterlight channel, bottom, right hand ...	1	

**TRIUMPH MAYFLOWER SPARE PARTS LIST**

Ref. No.	Part No.	Description	No. Off	Remarks
9	700143	Quarterlight channel, rear, left hand ... ..	1	
	700144	Quarterlight channel, rear, right hand ... ..	1	
10	700159	Quarterlight channel strip, rear, left hand ... ..	1	
	700160	Quarterlight channel strip, rear, right hand ... ..	1	
11	600520	Vent channel, top ... ..	2	
12	600521	Vent channel, rear, left hand ... ..	1	
	600522	Vent channel, rear, right hand ... ..	1	
13	600523	Vent channel, corner ... ..	2	
14	600524	Vent channel, bottom ... ..	2	





## TRIUMPH MAYFLOWER SPARE PARTS LIST

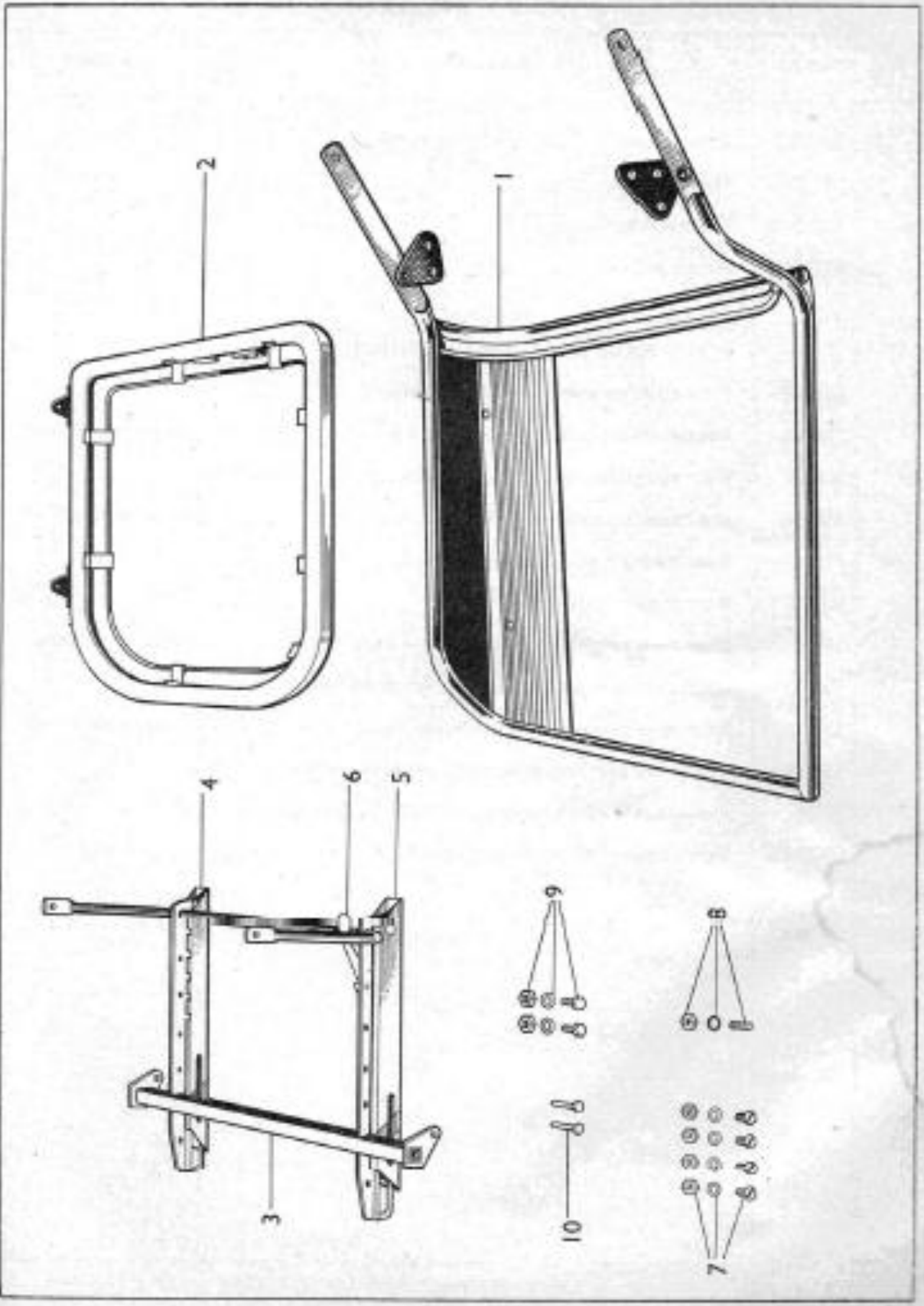
Ref. No.	Part No.	Description	No. Off.	Remarks
<b>TRUNK LID DETAILS</b>				
22	900077	Trunk lid complete assembly	1	
23	900007	Trunk lid outer panel	1	
	600689	Trunk lid hinge, right hand	1	
	600690	Trunk lid hinge, left hand	1	
	600693	Pin, trunk lid hinge	As req.	
	700229	Check link assembly, left hand	1	
	700230	Check link assembly, right hand	1	
24	600632	Trunk lid locking handle	1	
	550247	Locking device	1	
25	600627	Trunk lid, non-locking handle	1	
26	600635	Escutcheon, trunk lid handle	2	
	600545	Budget lock, trunk lid	2	
27	600736	Sealing rubber, trunk lid	1	
	600546	Strap staple	2	
	600928	Retaining clip	5	
	600878	Luggage mat fixing clip	2	
	600860	Retaining clip, swivel bracket	1	
<b>REAR QUARTER DETAILS</b>				
<b>Left Hand</b>				
15	800101	Rear quarter light and vent assembly	1	
16	800220	Sealing rubber, quarter light	1	
17	700149	Quarter light glass	1	
10	700157	Quarter light vent glass	1	
19	600286	Friction collet nut	1	

## TRIUMPH MAYFLOWER SPARE PARTS LIST

Ref. No.	Part No.	Description	No. Off	Remarks
<b>BACK LIGHT DETAILS</b>				
20	800224	Back light glass ... ..	1	Up to Comm. No. TT9830 only
	800263	Back light glass ... ..	1	Comm. No. TT9831 and future
21	900081	Glazing rubber for back light ... ..	1	Up to Comm. No. TT9830 only
	800262	Glazing rubber for back light ... ..	1	Comm. No. TT9831 and future
	600561	Fixing strip, top ... ..	1	Up to Comm. No. TT9830 only
	600957	Fixing strip, top ... ..	1	Comm. No. TT9831 and future
	600562	Fixing strip, bottom ... ..	1	Up to Comm. No. TT9830 only
	601243	Fixing strip, bottom ... ..	1	Comm. No. TT9831 and future
	600563	Fixing strip, side ... ..	2	Up to Comm. No. TT9830 only
	601244	Fixing strip, side ... ..	2	Comm. No. TT9831 and future
	YA.0324	Screw, fixing ... ..	18	
	550460	Lining board, back light ... ..	1	Up to Comm. No. TT9830 only
	550780	Lining board, back light ... ..	1	Comm. No. TT9831 and future
	550465	Roof lining board, trimmed, front ... ..	1	
	550467	Roof lining, trimmed, rear ... ..	1	
	550466	Roof lining board, centre ... ..	1	

## TRIUMPH MAYFLOWER SPARE PARTS LIST

Ref. No.	Part No.	Description	No. Of	Remarks
<b>DASH AND FACIA DETAILS</b>				
	800169	Dash front assembly ... ..	1	
	700171	Steering column cover ... ..	1	
	500391	Screw, fixing millboard ... ..	10	
	700279	Dash tray millboard, right hand, please state colour	1	R.H.S.
	700278	Dash tray millboard, right hand, please state colour	1	L.H.S. Up to TT11968 only
	700281	Dash tray millboard, left hand, please state colour	1	R.H.S.
	700280	Dash tray millboard, left hand, please state colour	1	L.H.S.
	700282	Dash side millboard, left hand ... ..	1	R.H.S.
	700350	Dash side millboard, right hand ... ..	1	L.H.S.
	700368	Steering column bracket cover ... ..	1	R.H.S.
	700364	Steering column bracket cover ... ..	1	L.H.S.
	700421	Dash tray millboard, right hand ... ..	1	L.H.S. Comm. No. TT11969 and future
	600409	Ventilator door assembly ... ..	1	
	600549	Ventilator spring ... ..	1	
	600254	Ventilator lever, less knob ... ..	1	
	600599	Knob for lever ... ..	1	
	600109	Operating rod, ventilator door ... ..	1	
	600597	Sealing rubber for dash vent ... ..	1	
	800105	Facia top rail assembly, right hand ... ..	1	
	800104	Facia top rail assembly, left hand ... ..	1	
	900049	Facia panel tray ... ..	1	Up to Comm. No. TT11968 only
	900050	Facia panel tray assembly ... ..	1	Comm. No. TT11969 and future
	600881	Facia panel beading ... ..	2	
	800150	Facia centre and radio cover assembly ... ..	1	Up to Comm. No. TT2933 only
	800251	Facia centre and radio cover assembly ... ..	1	Comm. No. TT2934 and future
	700113	Control panel ... ..	1	
	600290	Felt washer ... ..	1	





## TRIUMPH MAYFLOWER SPARE PARTS LIST

Ref. No.	Part No.	Description	No. Off	Remarks
<b>FRONT SEAT AND FITTINGS</b>				
	550530	Front seat complete, right hand, leather trim ...	1	Please state colour
	550742	Front seat complete, right hand, vynide trim ...	1	
	550529	Front seat complete, left hand, leather trim ...	1	Please state colour
	550741	Front seat complete, left hand, vynide trim ...	1	
	800239	Front cushion spring case, right hand ...	1	
	800238	Front cushion spring case, left hand ...	1	
1	600914	Seat back, sub assembly, left hand ...	1	
	600915	Seat back, sub assembly, right hand ...	1	
2	600912	Seat base assembly, left hand ...	1	
	800204	Seat base assembly, right hand ...	1	
3	800205	Seat mechanism assembly, left hand ...	1	
	600911	Seat mechanism assembly, right hand ...	1	
4	600769	Floor slide, left hand ...	1	
5	600910	Floor slide, right hand ...	1	
6	600754	Trigger for seat adjustment ...	1	
	600758	Trigger spring ...	1	
	600751	Front roller ...	2	
	600752	Rear roller ...	2	
	600738	Distance piece ...	4	
	CD.31237	Rivet, rear end ...	4	
7	TR.6705	Screws, round head ...	4	
	NH.2007	Nut hexagon ...	1	
	WL.0207	Lock washer ...	4	
8	600760	Seat stop ...	1	
	NH.2008	Nut hexagon ...	1	
	WN.0706	Shakeproof washer ...	1	

**TRIUMPH MAYFLOWER SPARE PARTS LIST**

Ref. No.	Part No.	Description	No. OF	Remarks
9	BH.0807	Bolt, hexagon ... ..	2	
	NH.2008	Nut, hexagon ... ..	2	
	WP.0008	Plain washer ... ..	2	
10	600739	Hinge pin ... ..	2	
<b>REAR SEAT AND CUSHION</b>				
	550747	Rear cushion complete, leather trim ... ..	1	
	550464	Rear cushion complete, vynide trim ... ..	1	Please state colour
	550749	Rear squab complete, leather trim ... ..	1	
	550463	Rear squab complete, vynide trim ... ..	1	Please state colour
	800247	Rear cushion spring case ... ..	1	
	800235	Rear squab spring case ... ..	1	
	550753	Rear seat armrest assembly, right hand, leather ...	1	Please state colour
	550518	Rear seat armrest assembly, right hand, vynide ...	1	
	550752	Rear seat armrest assembly, left hand, leather ...	1	Please state colour
	550519	Rear seat armrest assembly, left hand, vynide ...	1	
	700357	Seat runner and supports, left hand ... ..	1	
	700358	Seat runner and supports, right hand ... ..	1	

**TRIUMPH MAYFLOWER SPARE PARTS LIST**

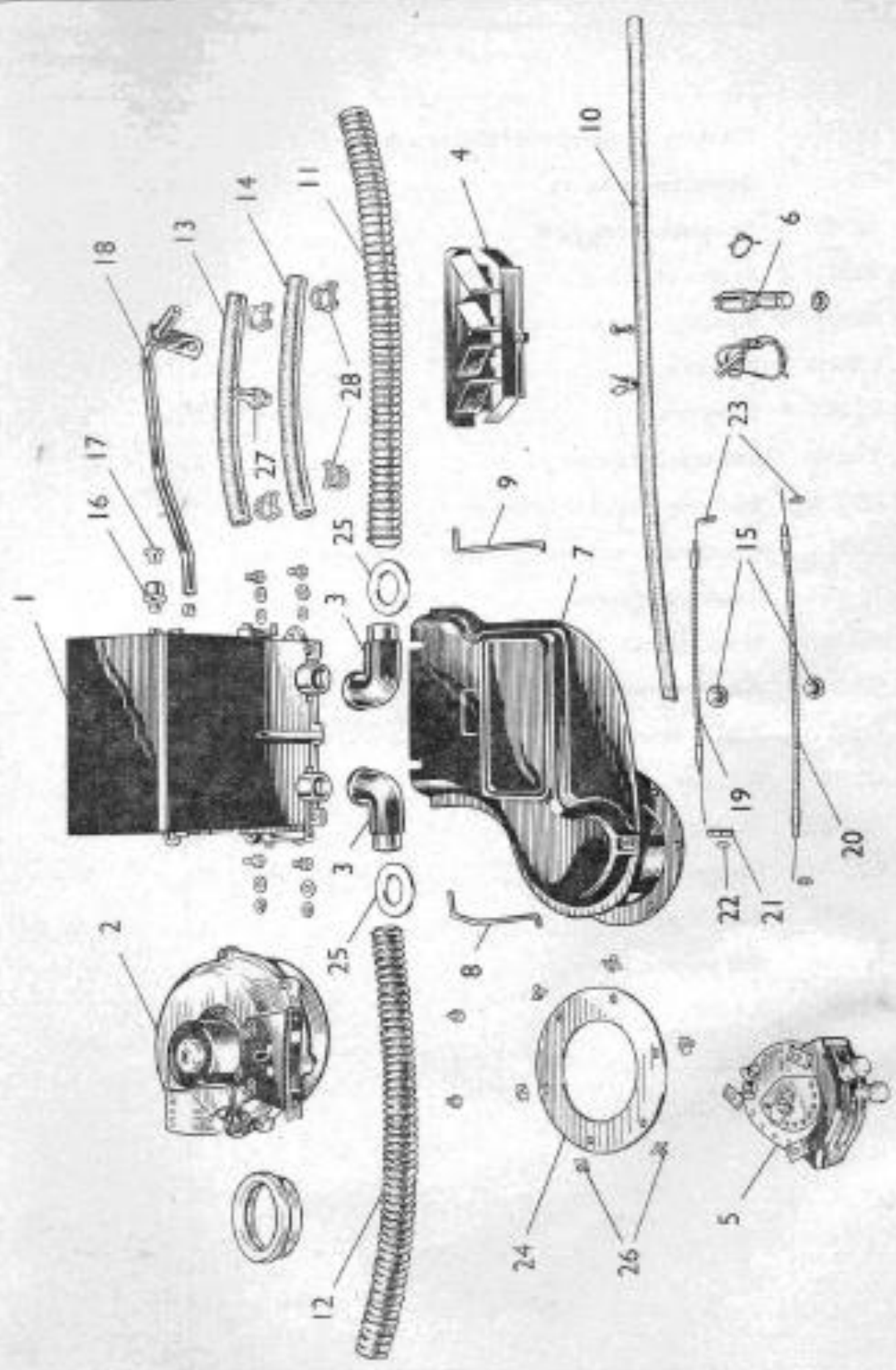
Ref. No.	Part No.	Description	No. OR	Remarks
<b>RUBBER FLOOR MATS</b>				
*Please state colour				
	900153	Front floor mat ... ..	1	Right hand steering
	900154	Front floor mat ... ..	1	Left hand steering
	900155	Rear floor mat ... ..	1	
	550390	Underfelt, front mat ... ..	1	
	550387	Underfelt, rear mat ... ..	1	
	700252	Fixing plate ... ..	1	
	YA.0330	Self tapping screw ... ..	6	
		*Available in : brown		
		blue		
		grey		
		red		
<b>RUBBER PLUGS AND GROMMETS</b>				
	61917	Grommet, starter cable and choke ... ..	1	
	CD.22869	Plug grommet, accelerator pedal ... ..	1	
	600399	Blanking plug, dipper switch, right hand steering ...	1	
	600396	Blanking plug, dipper switch, left hand steering ...	1	
	600606	Grommet, front floor ... ..	2	
	61917	Grommet, heater control cable ... ..	1	
	600654	Grommet, petrol filler ... ..	1	
	600421	Grommet in wing, aerial aperture ... ..	1	
	600179	Steering column sealing rubber ... ..	1	
	600194	Steering column blanking rubber ... ..	1	
	600606	Grommet, front floor gearbox cover ... ..	1	

*It is always essential to quote the component number — with prefix or suffix letters (if any) — imprinted on the plate fixed to scuffle under bonnet.*

## TRIUMPH MAYFLOWER SPARE PARTS LIST

Ref. No.	Part No.	Description	No. Off	Remarks
<b>MISCELLANEOUS DETAILS</b>				
	101889	Commission and patent number plate ... ..	1	
	CD.24084	Rivets ... ..	4	
	CD.25624	Licence holder ... ..	1	
	800207	Luggage mat ... ..	1	
	600678	Fixing clip ... ..	2	
	500510	Radiator muff ... ..	1	
	700233	Driving mirror, interior ... ..	1	Up to Comm. No. TT2934 only Comm. No. TT2935 and future
	700354	Driving mirror, interior ... ..	1	
	600434	Visor complete ... ..	2	
	500290	Fixing screws ... ..	4	
	551315	Telescopic roof rack ... ..	1	
	500833	Service instruction manual ... ..	1	
<b>PAINT AND TRIM PARTICULARS</b>				
Black body, brown or red trim				
Cotman grey body, dove grey or red trim				
Comet blue body, dark blue trim				
Jade green body, brown trim				

*It is always essential to quote the commission number — with prefix or suffix letters (if any) — imprinted on the plate fixed to scuttle under bonnet.*





**TRIUMPH MAYFLOWER SPARE PARTS LIST**

Ref. No.	Part No.	Description	No. Off	Remarks
		<b>HEATER DETAILS — 3½ KWT.</b>		
	550736	<b>Heater kit assembly</b> ... ..	1	
		Comprising all details in this section		
1	800273	<b>Heater unit</b> ... ..	1	
	600978	<b>Seal</b> ... ..	1	
2	700381	<b>Blower</b> ... ..	1	
3	600981	<b>Elbow</b> ... ..	2	
4	700424	<b>Deflector</b> ... ..	1	
5	700423	<b>Lever control assembly</b> ... ..	1	
		Comprising :		
19	600986	De-mister cable (short) ...	1	
20	600987	Heating cable (long) ...	1	
23	550056	Cable clamp ... ..	2	
	SP.83AO/KP	Clamp screw ... ..	3	
21	550067	Cable double trunnion ...	1	
22	550066	Pin-cable double trunnion ...	1	
6	101934	<b>Heater switch</b> ... ..	1	
	WP.0117	<b>Plain washer</b> ... ..	2	
	WL.0205	<b>Lock washer</b> ... ..	2	
	600295	<b>Sealing washer</b> ... ..	1	
7	800272	<b>Heater duct assembly</b> ... ..	1	
8	600296	<b>Link, operating lever to heater duct door</b> ... ..	1	
9	600102	<b>Link, heater duct to vent door</b> ... ..	1	
	550254	<b>Clip</b> ... ..	1	
26	FJ.2444	<b>Spire nut</b> ... ..	6	
26	YH.6404	<b>P.K. screw</b> ... ..	8	
10	A00130	<b>Rubber hose</b> ... ..	1	

## TRIUMPH MAYFLOWER SPARE PARTS LIST

Ref. No.	Part No.	Description	No. Off	Remarks
24	600195	Blanking washer, heater blower aperture ... ..	1	
11	600984	De-mister hose, left hand ... ..	1	
12	600983	De-mister hose, right hand ... ..	1	
13	600976	Return pipe, heater to engine ... ..	1	
14	600975	Pipe, engine to valve on heater ... ..	1	
28	CS.4013	Pipe clip ... ..	4	
	FC.2805	Spire nut	2	} Fitted to dash
	YH.6504	Self tapping screw	2	
	CD.22869	Blanking plug, blanking piece fixing holes ... ..	2	
15	61917	Grommet, heater control cables and blower ... ..	3	
	TR.6304	Round head screw ... ..	2	
	NH.2005	Hexagon nut ... ..	2	
27	57602	Adaptor ... ..	1	
	TL.0011	Tubing sleeve ... ..	1	
16	101343	Adaptor ... ..	1	
17	101302	Tubing nut ... ..	1	
25	CD.27549	Grommet ... ..	2	
18	101341	Return pipe ... ..	1	
	YH.8604	Self tapping screw ... ..	4	
	501166	Kit list ... ..	1	

# NUMERICAL INDEX

Part No.	Page	Part No.	Page	Part No.	Page	Part No.	Page
1396	124	43752	12	55721	54	57415	38
24731	124	43752	22	55722	54	57416	38
26435	6	43768	22	55723	54	57419	38
27105	18	43929	102	55771	44	57422	36
27110	18	44101	22	55773	44	57424	36
27138	18	44664	52	55774	44	57428	36
27378	6	45078	106	55778	44	57430	36
27383	124	45353	102	55791	44	57431	36
27645	48	45355	102	55815	58	57431	36
27670	18	45358	102	55818	44	57434	36
30047	8	45484	104	55911	54	57435	36
30047	46	47246	18	55953	58	57437	38
30047	58	47259	94	55978	58	57467	116
30123	44	47261	42	55980	58	57468	116
32301	104	47511	102	55981	60	57469	116
32307	14	47757	24	55993	58	57470	116
33148	34	48008	40	55994	58	57503	38
33214	12	48269	102	56168	50	57504	38
33831	24	48303	102	56200	46	57505	38
34469	24	48306	102	56244	10	57506	38
35960	22	48307	102	56305	46	57510	36
36234	8	48308	102	56310	58	57511	36
36411	22	48308	102	56334	117	57513	36
36834	48	48309	102	56366	58	57514	36
36997	44	48310	102	56865	101	57515	36
36998	44	48851	8	56894	88	57516	36
37111	104	48995	102	56895	88	57519	36
37502	56	50271	46	56912	90	57522	36
37613	48	50271	48	56934	68	57524	36
37942	40	52200	115	56934	74	57547	38
37948	56	52203	124	56935	28	57577	115
38665	30	52322	124	56935	72	57599	118
38771	42	52405	86	56939	88	57602	10
38776	42	52465	32	56963	46	57602	168
38777	42	52467	32	56965	46	57991	116
39430	22	52469	32	57079	48	57992	116
40090	108	52471	32	57084	48	58024	116
40488	46	52472	32	57103	16	58025	116
40594	102	52473	32	57190	50	58029	118
40717	44	52483	32	57190	84	58031	122
41674	100	52484	32	57191	84	58033	118
42243	106	52485	32	57192	84	58036	118
42244	106	52487	32	57216	10	58082	54
42374	6	52489	32	57216	28	58088	54
42425	22	52491	32	57216	44	58173	56
42527	42	52493	32	57216	88	58198	58
42529	42	52495	32	57239	84	58224	68
42530	42	54902	118	57317	22	58304	118
42531	42	55324	80	57351	32	58308	116
42532	42	55694	56	57353	32	58330	38
43314	76	55695	56	57355	32	58331	38
43617	24	55699	54	57357	32	58391	56
43669	14	55707	56	57358	32	58392	50
		55713	54	57361	34	58392	66
		55715	54	57412	38		
		55720	54	57413	38		

Part No.	Page	Part No.	Page	Part No.	Page	Part No.	Page
58398	101	59269	99	59721	36	61917	102
58615	72	59270	99	59743	115	61917	125
58780	82	59271	99	59748	115	61917	164
58845	8	59273	99	59751	115	61917	168
58950	58	59274	99	59752	115	62058	90
58951	58	59275	99	59769	116	62064	56
58955	56	59276	99	59773	116	62065	56
58956	54	59277	99	59774	116	62066	56
58959	44	59278	99	59779	120	62067	56
58968	46	59279	99	59782	120	62068	54
58969	46	59280	99	59794	118	62069	54
58996	84	59282	99	59796	118	62072	54
59015	26	59283	95	59797	118		
59043	56	59283	96			70027	115
59047	56	59283	97	60078	58	70033	115
59048	56	59283	98	60089	118	70046	115
59054	56	59283	101	60108	118	70051	115
59099	58	59291	95	60109	118	70052	115
59115	26	59291	96	60141	111	70057	115
59127	40	59291	98	60142	111	70329	115
59127	52	59291	101	60176	111	70339	122
59190	100	59293	101	60177	111	70340	122
59223	72	59295	101	60177	125	70341	122
59240	95	59319	58	60215	41	70388	115
59240	97	59320	84	60220	99	70391	115
59240	98	59364	100	60221	99		
59241	95	59380	111	60246	46	100125	24
59241	97	59380	125	60247	46	100127	8
59241	98	59420	96	60259	46	100281	62
59245	95	59421	96	60267	56	100290	80
59245	96	59426	124	60269	54	100294	80
59245	98	59427	124	60313	28	100298	82
59245	100	59429	124	60360	78	100299	80
59245	101	59443	56	60366	76	100300	80
59246	95	59445	118	60366	78	100301	80
59246	96	59445	123	60372	76	100321	24
59246	98	59447	54	60389	58	100325 STD.	18
59246	101	59450	54	60420	44	100325 -020"	18
59247	100	59453	56	60518	123	100325 -030"	18
59248	95	59454	54	60519	123	100325 -040"	18
59248	96	59456	54	60569	56	100326 STD.	18
59248	98	59466	120	60570	56	100326 -020"	18
59251	97	59467	122	60658	58	100326 -030"	18
59252	97	59467	122	60662	60	100326 -040"	18
59253	97	59468	120	60796	120	100327	18
59253	99	59469	120	60899	14	100337	90
59255	97	59471	120	60950	115	100339	92
59255	98	59491	117	61237	118	100346	24
59256	97	59492	122	61272	122	100348	18
59256	98	59536	44	61302	70	100349	8
59260	98	59537	44	61359	122	100352	24
59261	99	59550	100	61478	6	100353	14
59262	99	59558	38	61834	120	100359	8
59263	99	59679	38	61878	34	100363	24
59264	99	59682	38	61903	120	100364	24
59266	99	59700	36	61905	120	100365	44
59267	99	59716	38	61907	120	100367	20
59268	99	59718	36	61908	120	100368	20



Part No.	Page	Part No.	Page	Part No.	Page	Part No.	Page
100369	52	100650	44	100880	92	101256	122
100373	6	100655	50	100881	92	101257	122
100382	8	100656	50	100892	83	101276	94
100401	24	100657	38	100892	90	101280	94
100402	24	100661	10	100894	90	101283	101
100411	14	100679	14	100895	90	101284	102
100415	34	100684	68	100896	90	101302	40
100417	12	100686	68	100897	90	101302	41
100420	14	100688	68	100898	90	101302	168
100422	90	100689	68	100899	88	101306	64
100431	18	100695	70	100901	88	101307	64
100432	24	100696	70	100914	72	101308	124
100433	8	100697	70	100954	48	101318	124
100443	14	100707	94	100965	90	101319	124
100444	8	100726	72	100966	90	101326	86
100447	18	100745	70	100967	90	101333	48
100449	28	100751	70	100984	42	101335	50
100453	12	100760	28	100991	104	101336	50
100454	56	100764	28	100993	104	101339	64
100455	104	100766	28	100996	86	101341	168
100456	62	100798	20	101007	50	101343	30
100458	22	100799	80	101022	6	101343	168
100460	22	100809	26	101042	108	101359	90
100461 STD.	20	100817	34	101045	22	101360	90
100461 -020°	20	100818	24	101046	18	101369	80
100461 -030°	20	100819	26	101050	111	101377	28
100461 -040°	20	100820	28	101050	125	101379	72
100463	8	100821	78	101051	10	101380	80
100463	10	100821	76	101051	40	101400	28
100489	8	100823	92	101055	94	101407	74
100490	34	100828	18	101089	124	101414	52
100498	34	100834	8	101092	28	101416	108
100499	12	100835	26	101095	70	101431	84
100500	22	100836	26	101164	106	101436	14
100501	8	100837	26	101178	104	101466	108
100520	88	100838	26	101181	70	101533	68
100529	32	100844	92	101215F	20	101539	72
100536	66	100845	92	101215G	20	101540	58
100542	80	100846	90	101215H	20	101544	88
100548	72	100847	28	101215 -020°	20	101545	50
100562	90	100851	28	101215 -030°	20	101557	72
100563	90	100853	24	101215 -040°	20	101585	56
100564	90	100854	24	101216 STD.	20	101586	56
100569	103	100856	14	101216 -020°	20	101591	68
100571	103	100857	26	101216 -030°	20	101597	28
100572	103	100858	28	101216 -040°	20	101607	90
100573	66	100862	8	101218	20	101614	52
100578	82	100866	66	101218 SER.	20	101615	68
100579	82	100867	66	101226	34	101619	24
100584	82	100868	66	101229	68	101620	24
100593	82	100869	66	101229	70	101623	16
100594	82	100869	88	101236	58	101635	10
100607	52	100870	88	101247	102	101656	28
100609	50	100870	111	101248	103	101656	16
100616	50	100874	24	101249	102	101657	16
100619	84	100875	28	101253	115	101678	16
100620	82	100876	16	101254	115	101679	117
100645	62	100878	90	101255	118	101680	117



Part No.	Page	Part No.	Page	Part No.	Page	Part No.	Page
101681	117	101953	68	102601	64	103839	100
101712	122	101955	106	102610	50	103840	100
101730	40	101961	70	102689	66	103841	95
101730	52	101962	34	102690	66	103841	96
101731	40	101969	82	102692	72	103841	97
101731	52	101974	40	102696	66	103841	98
101752	14	101990	80	102711	123	103842	97
101753	14	102001	95	102723	117	103843	97
101754	14	102001	96	102724	117	103844	97
101761	124	102008	100	102735	97	103845	97
101763	124	102016	58	102735	99	103846	97
101784	40	102017	60	102736	97	103847	97
101785	40	102029	41	102736	99	103978	34
101785	41	102050	52	102749	112	104227	100
101789	14	102059	44	102749	122	104297	118
101811	10	102061	86	102761	124	104329	80
101824	95	102065	26	102800	92	104359	34
101824	96	102069	132	102801	90	104549	62
101824	97	102073	60	102802	90	104727	56
101824	98	102076	26	102805	46	104728	58
101825	95	102111	122	102811 STD.	20	105147	102
101825	96	102181	14	102811 -020"	20	105271	98
101825	97	102182	14	102811 -030"	20	105378	95
101825	98	102201	72	102811 -040"	20	105378	96
101826	97	102218	101	102876	16	105378	97
101826	98	102219	102	102940	8	105378	98
101827	100	102228	68	102963	116	105551	84
101837	100	102247	56	102964	117	105552	84
101837	111	102282	102	102965	117	105909	82
101837	125	102286	26	102970	8	106151	70
101838	111	102306	62	102986	26	106152	94
101841	84	102328	50	102987	74	106429	50
101843	84	102331	50	102989	64	106440	50
101853	48	102331	62	102990	64		
101859	50	102333	46	103005	94	200091	12
101879	101	102333	48	103020	99	200097	12
101882	88	102337	24	103041	82	200101	12
101883	88	102338	48	103070	111	200102	12
101884	125	102346	68	103195	8	200114	22
101888	38	102355	48	103202	80	200131	72
101889	125	102356	48	103205	80	200132	72
101889	165	102358	68	103210	82	200141	32
101890	10	102359	50	103222	110	200175	10
101894	40	102381	68	103242	66	200182	10
101923	84	102412	94	103243	66	200189	18
101929	116	102416	50	103247	80	200191	66
101931	116	102418	48	103252	80	200191	88
101932	116	102420	48	103253	80	200193	70
101933	122	102422	46	103276	115	200194	88
101934	118	102422	48	103278	96	200196	88
101934	166	102423	46	103306	70	200198	28
101936	122	102423	48	103307	94	200199	28
101942	40	102466	64	103388	72	200203	30
101943	40	102547	94	103409	66	200226	95
101949	68	102548	94	103424	115	200227	95
101950	68	102553	117	103508	10	200228	95
101951	70	102554	117	103612	76	200229	96
101952	68	102579	94	103811	88	200231	97

Part No.	Page	Part No.	Page	Part No.	Page	Part No.	Page
200233	98	201350	26	400030	123	500301	66
200244	111			400081/1	118	500360	125
200260	124	300069	10	400081/0	120	500390	6
200280	108	300129	34	400085/1	120	500391	158
200324	103	300134	10	400085/0	120	500421	123
200325	115	300136	6	42222	108	500424	36
200326	116	300148	66			500425	38
200327	116	300150	88	500031	88	500426	38
200334	116	300162	104	500040	122	500427	38
200335	116	300166	44	500045	26	500428	38
200339	124	300167	12	500047	28	500429	38
200344	40	300168	26	500056	80	500430	36
200345	111	300175	111	500057	80	500431	36
200355	54	300181	123	500070	122	500436	42
200370	90	300187	108	500098	103	500452/53	124
200385	28	300238	117	500115	124	500453	111
200422	102	300248	44	500120	20	500459	125
200438	72	300249	88	500128	80	500465	90
200456	68	300254	123	500179	138	500469	6
200476	117	300255	123	500188	6	500469	111
200477	117	300325	111	500201	140	500469	125
200499	116	300349	111	500205	138	500473	66
200500	116	300349	125	500248	103	500474	66
200514	100	300351	94	500248	150	500481	120
200515	100	300354	124	500257	42	500482	120
200535	115	300360	100	500258	42	500483	120
200623	10	300389	76	500259	42	500492	122
200638	100	300395	40	500260	42	500495	122
200639	100	300396	123	500262	42	500496	122
200648	64	300397	40	500263	86	500497	122
200649	76	300406	44	500264	86	500510	165
200657	115	300407	54	500265	86	500518	120
200659	70	300408	54	500266	86	500523	6
200662	62	300409	94	500271	76	500528	117
200663	62	300414	18	500272	76	500537	117
200664	22	300505	104	500273	76	500551	118
200677	40	300506	76	500274	76	500552	118
200716	122	300548	94	500275	76	500729	116
200739	40	300549	94	500277	76	500742	74
200756	95	300569	90	500278	78	500743	74
200757	96	300612	111	500279	78	500794	66
200771	72	300641	110	500280	78	500795	66
200826	30	300762	95	500281	76	500817	88
200891	54	300763	96	500282	76	500833	124
200900	117	300764	97	500284	76	500833	165
200914	98	300765	98	500285	76	500838	124
200918	95	300868	99	500286	76	500892	115
200919	96	300903	64	500287	76	500900	100
200920	97	300994	95	500289	76	500901	99
200921	98	300995	96	500290	165	500905	116
201096	95	300996	97	500291	32	500905	124
201097	96	300997	98	500292	32	500926	115
201098	56			500293	32	500927	115
201099	96	400019	122	500294	32	500932	120
201129	100	400022	122	500295	32	500987	36
201130	100	400023	123	500296	34	500996	117
201209	36	400024	123	500297	34	500997	117
201317	54	400029	123	500300	66	501009	42

Part No.	Page	Part No.	Page	Part No.	Page	Part No.	Page
501032	117	600102	166	600393	126	600586	101
501033	117	600109	158	600395	111	600593	138
501034	117	600173	130	600395	117	600593	146
501041	117	600179	164	600396	125	600594	140
501042	117	600181	136	600396	164	600594	144
501043	117	600181	142	600399	164	600594	158
501103	120	600182	136	600402	110	600597	158
501105	120	600183	136	600403	110	600600	140
501106	120	600183	146	600404	110	600600	144
501135	94	600183	150	600409	134	600606	164
501166	168	600194	164	600409	158	600626	142
550036	126	600195	168	600421	164	600627	154
550056	166	600208	138	600434	125	600627	138
550066	166	600209	146	600434	165	600631	154
550067	166	600210	138	600435	126	600632	154
550082	128	600210	146	600436	126	600633	138
550091	112	600214	138	600440	126	600635	154
550092	112	600214	146	600442	126	600653	138
550093	112	600215	138	600445	125	600653	142
550094	112	600215	146	600473	140	600654	110
550106	128	600217	142	600473	144	600654	164
550187	110	600217	146	600477	110	600655	138
550242	110	600219	146	600479	110	600661	125
550247	138	600222	126	600481	110	600661	140
550247	154	600223	126	600482	110	600661	144
550252	140	600224	126	600493	127	600662	146
550252	144	600225	126	600494	127	600663	136
550254	166	600226	126	600496	112	600670	144
550387	164	600226	127	600499	125	600673	136
550390	164	600254	158	600500	123	600673	138
550435	127	600269	136	600502	123	600673	142
550458	144	600269	142	600520	152	600674	126
550459	140	600269	146	600521	152	600689	154
550460	156	600272	126	600522	152	600690	154
550463	162	600283	150	600523	152	600693	154
550464	162	600284	150	600524	152	600696	114
550465	156	600286	150	600545	154	600699	114
550466	156	600286	154	600546	154	600715	123
550467	156	600287	136	600547	112	600722	138
550490	127	600287	146	600549	134	600722	142
550491	127	600288	150	600549	158	600726	123
550492	127	600290	158	600558	112	600727	112
550493	127	600295	166	600559	112	600727	114
550494	127	600296	166	600560	140	600736	154
550518	162	600297	126	600561	156	600738	160
550519	162	600299	126	600562	156	600739	162
550529	160	600310	118	600563	156	600751	160
550530	160	600316	136	600575	146	600752	160
550736	166	600316	146	600576	138	600754	160
550741	160	600316	150	600577	146	600758	160
550742	160	600330	166	600578	138	600760	160
550747	162	600338	150	600579	146	600769	160
550749	162	600352	112	600580	138	600784	101
550752	162	600353	112	600581	138	600785	101
550753	162	600355	150	600582	146	600786	140
550780	156	600373	138	600583	146	600786	144
551155	127	600373	146	600584	138	600814	140
551156	127	600392	126	600585	101	600814	144
551315	165					600824	138

Part No.	Page	Part No.	Page	Part No.	Page	Part No.	Page
600824	142	700130	136	700281	158	800151	142
600826	140	700130	142	700282	158	800152	136
600826	144	700131	146	700285	142	800153	142
600827	140	700132	138	700297	148	800154	136
600831	138	700136	126	700302	136	800155	112
600831	142	700141	150	700302	142	800159	128
600837	140	700142	150	700305	118	800167	132
600837	144	700143	152	700339	114	800168	132
600839	140	700144	152	700347	138	800169	128
600846	108	700145	150	700350	158	800169	130
600860	154	700146	150	700354	125	800169	158
600864	114	700147	150	700354	165	800170	132
600878	154	700148	150	700355	128	800171	132
600878	165	700149	150	700356	128	800172	132
600881	158	700149	154	700357	162	800173	132
600910	160	700157	150	700358	162	800177	142
600911	160	700157	154	700364	158	800177A	142
600912	160	700159	152	700368	158	800178	136
600914	160	700160	152	700381	166	800178A	136
600915	160	700171	130	700421	158	800182	128
600925	114	700171	158	700423	166	800183	128
600928	154	700174	108	700424	166	800188	108
600935	126	700183	125	700425	140	800192	128
600949	138	700183	140	700425	144	800201	132
600951	148	700187	112	700426	140	800202	132
600957	156	700187	130	700426	144	800204	160
600975	168	700193	130	700482	142	800205	160
600976	168	700196	142	700483	136	800207	165
600978	166	700197	136	700488	142	800209	134
600981	166	700200	132	700489	136	800218	128
600983	168	700201	132	700520	138	800219	128
600984	168	700204	126			800220	150
600986	166	700205	126	800029	128	800220	154
600987	166	700207	130	800036	110	800221	150
601021	144	700208	130	800074	108	800223	130
601022	140	700209	128	800095	112	800224	156
601070	142	700213	130	800096	112	800235	162
601071	136	700222	142	800099	150	800238	160
601150	142	700223	136	800100	150	800239	160
601151	136	700223/1	136	800101	150	800247	162
601179	138	700223/1	142	800101	154	800251	130
601181	138	700224	132	800102	150	800251	158
601187	138	700225	132	800104	130	800252	130
601199	138	700229	154	800104	158	800261	128
601200	142	700230	154	800105	130	800262	156
601209	130	700233	165	800105	158	800263	156
601210	130	700240	146	800110	130	800264	128
601243	156	700241	138	800111	130	800265	128
601244	156	700242	144	800114	126	800272	166
601250	142	700243	140	800114	134	800273	166
601251	136	700244	130	800115	126		
601298	130	700245	130	800115	134	900007	154
601493	127	700247	130	800119	132	900017	132
700097	112	700252	164	800120	132	900018	132
700097	132	700268	130	800131	112	900019	132
700110	112	700278	158	800147	128	900020	132
700113	158	700279	158	800149	108	900033	128
700120	126	700280	158	800150	158	900034	128



Part No.	Page	Part No.	Page	Part No.	Page	Part No.	Page
900035	128	BH.0756	58	CD.25624	125	NH.2008	160
900049	158	BH.0758	52	CD.25624	165	NH.2008	162
900050	158	BH.0760	52	CD.26074	117	NH.2009	62
900066	142	BH.0804	108	CD.27549	168	NH.2009	70
900067	136	BH.0805	10	CD.27751	140	NH.2009	88
900068	134	BH.0805	12	CD.27751	144	NH.2009	94
900069	134	BH.0805	42	CD.27769	126	NH.2010	68
900070	127	BH.0805	86	CD.27974	140	NH.2010	94
900070	130	BH.0805	92	CD.27974	144	NH.2013	76
900071	130	BH.0805	104	CD.31186	118	NJ.2107	50
900072	130	BH.0806	12	CD.31237	160	NJ.2107	82
900073	132	BH.0806	26	CD.31261	150	NJ.2107	84
900074	132	BH.0806	74	CD.31262	150	NJ.2108	102
900077	130	BH.0806.P	106	CS.4012	40	NJ.2108	114
900077	154	BH.0807	12	CS.4012	41	NJ.2113	14
900078	132	BH.0807	22	CS.4013	168	NJ.2157	52
900079	132	BH.0807	62	CS.4018	16	NJ.2158	58
900081	156	BH.0807	104	CS.4028	108	NL.2208	82
900084	128	BH.0807	106	CS.4034	110	NL.2209	68
900084	148	BH.0807	162			NL.2209	70
900085	128	BH.0808	40	DP.0408	6	NL.2210	68
900087	148	BH.0808	41	DP.0612	12	NL.2211	66
900088	148	BH.0808	104	DP.0616	12	NL.2211	72
900089	148	BH.0808	106			NN.2907	84
900093	128	BH.0809	14	FC.2805	168	NN.2908	28
900093	148	BH.0809	84	FJ.2444	166	NN.2908	84
900094	128	BH.0810	101	FP.1004	126	NN.2908	86
900094	148	BH.0817	30	FP.1007	52	NN.2909	72
900095	132	BH.0820	30	FU.2545	101	NN.2909	94
900096	132	BH.0857	48	FU.2557	52	NN.2910	80
900102	108	BH.0858	46			NN.2910	94
900103	148	BH.0905	72	KW.0420	28	NQ.2705	120
900104	148	BH.0908	72	KW.0624	18	NR.3109	10
900105	148	BH.0908	88			NT.3209	80
900106	148	BH.0908.P	62	NH.2005	28	NT.3211	26
900107	148	BH.0910	62	NH.2005	48		
900108	148	BH.0913	62	NH.2005	108	PC.0007	12
900147	126	BH.0913	70	NH.2005	114	PC.0008	50
900148	130	BH.0913	72	NH.2005	168	PC.0008	82
900153	164	BH.0915	62	NH.2007	24	PC.0009	68
900154	164	BH.0923	62	NH.2007	82	PC.0009	70
900155	164	BH.1038	80	NH.2007	101	PC.0009	82
900156	128	BL.0016	56	NH.2007	103	PC.0010	48
				NH.2007	116	PC.0010	68
BH.0502	10	CD.13462	108	NH.2007	160	PC.0010	82
BH.0504	48	CD.22869	164	NH.2008	12	PC.0012	70
BH.0509	28	CD.22869	168	NH.2008	16	PC.0020	66
BH.0704	76	CD.23953	108	NH.2008	22	PC.0020	72
BH.0705	82	CD.24084	165	NH.2008	24	PC.0033	58
BH.0705.P	108	CD.24401	132	NH.2008	34	PC.0042	20
BH.0706	30	CD.24806	144	NH.2008	40	PC.0045	88
BH.0706	116	CD.24807	144	NH.2008	41	PC.0045	90
BH.0707	22	CD.24855	120	NH.2008	62	PJ.8708	103
BH.0707	84	CD.25560	40	NH.2008	86	PJ.8808	50
BH.0709	26	CD.25567	110	NH.2008	101		
BH.0709	101	CD.25568	111	NH.2008	104	SP.1.G	102
BH.0712	103	CD.25594	118	NH.2008	106	SP.22.C	102
BH.0756	58	CD.25596	118	NH.2008	114	SP.22.D	95



Part No.	Page	Part No.	Page	Part No.	Page	Part No.	Page
SP.22.D	96	WF.0509	82	WL.0208	62	WP.0010	48
SP.22.D	97	WF.0511	6	WL.0208	74	WP.0010	80
SP.22.D	98	WF.0513	110	WL.0208	86	WP.0011	72
SP.24.E	50	WF.0521	82	WL.0208	92	WP.0017	106
SP.54.V	76	WF.0524	10	WL.0208	101	WP.0017	114
SP.83.AO/KP	166	WL.0205	10	WL.0208	104	WP.0117	166
SP.91.B3	12	WL.0205	28	WL.0208	106	WP.0018	12
SP.84.C1	118	WL.0205	48	WL.0208	108	WP.0020	66
SP.92.A/E6	140	WL.0205	114	WL.0209	24	WP.0020	68
SP.132/B/NP	140	WL.0205	120	WL.0209	34	WP.0020	70
TL.0007	111	WL.0205	122	WL.0209	62	WP.0020	82
TL.0008	111	WL.0205	166	WL.0209	70	WP.0023	84
TL.0009	14	WL.0207	22	WL.0209	88	WP.0025	70
TL.0011	168	WL.0207	26	WL.0210	94	WP.0029	82
TP.0504	114	WL.0207	30	WL.0211	6	WP.0103	40
TR.6504	114	WL.0207	58	WM.0057	110	WP.0107	44
TR.6504	168	WL.0207	82	WM.0059	62	WQ.0308	95
TR.6506	120	WL.0207	101	WM.0071	68	WQ.0308	96
TR.6553	100	WL.0207	102	WN.0703	138	WQ.0308	97
TR.6705	160	WL.0207	116	WN.0706	160	WQ.0308	98
UH.0505	108	WL.0207	160	WN.0707	76	YA.0322	140
UH.0703	95	WL.0208	10	WN.0707	95	YA.0322	144
UH.0703	96	WL.0208	12	WN.0707	96	YA.0324	156
UH.0706.P	110	WL.0208	14	WN.0709	94	YA.0330	164
UH.0805	95	WL.0208	16	WP.0005	108	YA.0583	140
UH.0805	96	WL.0208	22	WP.0007	103	YA.0583	144
UH.0908	70	WL.0208	26	WP.0008	50	YH.6404	111
		WL.0208	34	WP.0008	82	YH.6404	166
V.5435	66	WL.0208	41	WP.0008	162	YH.6504	168
V.5435	88	WL.0208	40	WP.0009	10	YH.8604	168
V.7535	10	WL.0208	42	WP.0009	48	YJ.2363	136
		WL.0208	46	WP.0009	70	YJ.2363	146
WD.0161	102	WL.0208	48	WP.0009	72	YJ.2543	101
WE.0613	100	WL.0208	54	WP.0009	94	YJ.2645	108